

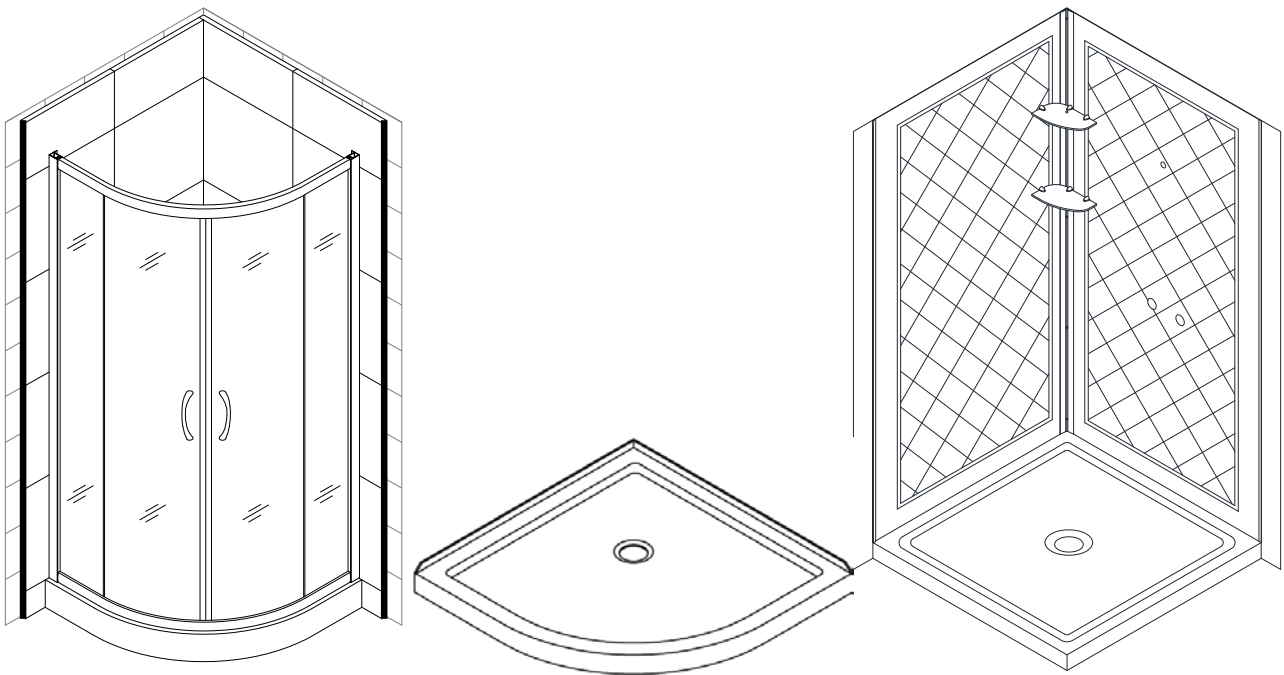


# Prime Shower Enclosure, Base & Wall Kit

## SHOWER ENCLOSURE, SHOWER BASE AND BACKWALLS KIT INSTALLATION INSTRUCTIONS

### IMPORTANT

DreamLine™ reserves the right to alter, modify or redesign products at any time without prior notice. For the latest up-to-date technical drawings, manuals or any other details please refer to the [support.BathAuthority.com](http://support.BathAuthority.com) web page.



### STEP 1: Install Shower Base

[Shower Base Installation Instructions](#)

### STEP 2: Install Shower Backwalls

[Shower Backwalls Installation Instructions](#)

### STEP 3: Install Shower Enclosure

[Shower Enclosure Installation Instructions](#)

Please read these instructions carefully before installing. If you have any questions regarding installation, please call our technical support specialists Monday through Friday 9:00 AM – 5:00 PM EST at Phone: [1-866-731-2244](tel:1-866-731-2244), Fax: [1-866-227-1533](tel:1-866-227-1533) or e-mail our technical support group at [support@BathAuthority.com](mailto:support@BathAuthority.com).

For more information on [DreamLine Shower Kit](#) please visit [www.BathAuthority.com](http://www.BathAuthority.com)

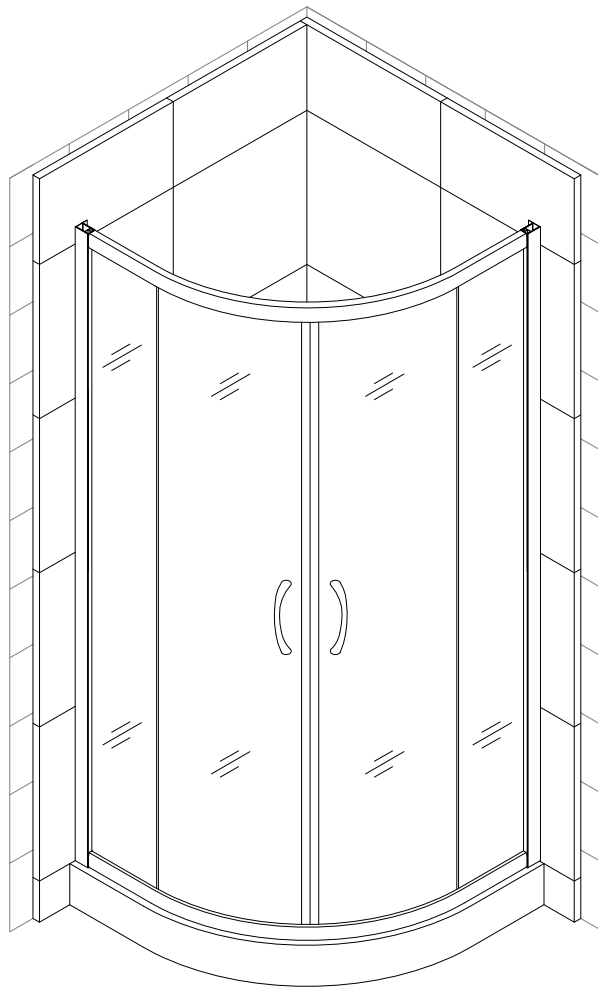


## PRIME

### SHOWER ENCLOSURE INSTALLATION INSTRUCTIONS

#### IMPORTANT

DreamLine™ reserves the right to alter, modify or redesign products at any time without prior notice. For the latest up-to-date technical drawings, manuals or any other details please refer to the [support.BathAuthority.com](http://support.BathAuthority.com) web page.



Please read these instructions carefully before installing. If you have any questions regarding installation, please call our technical support specialists Monday through Friday 9:00 AM – 5:00 PM EST at Phone: [1-866-731-2244](tel:1-866-731-2244), Fax: [1-866-227-1533](tel:1-866-227-1533) or e-mail our technical support group at [support@BathAuthority.com](mailto:support@BathAuthority.com).

For more information on [DreamLine™ Shower Enclosures](http://www.BathAuthority.com) please visit [www.BathAuthority.com](http://www.BathAuthority.com)

## Preparation

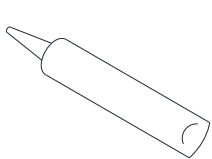
1. After opening all boxes and packages, read this introduction carefully. Check that all of the needed parts are included in the package by marking all the components on the "Detailed Diagram of Shower Door Components". Examine boxes and packages for shipping damage. If the unit has been damaged, has a finishing defect, or has missing parts, please contact our customer support department within 5 business days of the delivery date. Please note that **DreamLine™ will not replace any damaged products or missing parts free of charge after 5 business days or if the product has been installed.** Feel free to contact DreamLine™ if you have any questions.
2. **Please note that you should consult your local building codes with questions on installation compliance standards. Building and plumbing codes may vary by location, and DreamLine is not responsible for code compliance standards for your project and will not accept any returns.**
3. Please ensure that prior to the installation the installation surface is leveled and solid and will be able to support the total weight of the unit. Also make sure the walls are at right angles. Irregular installation surface level or improper angle of side walls will result in serious problems for your installation. Please, note that some adjustments and drilling might be necessary during the installation process.
4. This unit has to be installed against a finished floor and walls.

### **PLEASE, NOTE!**

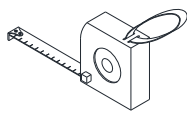
**This door does have 1" out-of-plumb adjustment on each side. Make sure your walls are vertical and your shower base or threshold is leveled.**

**Note:** If glass has silk, print or molded designs, please make sure that clear side faces inside the shower

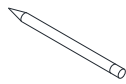
## Tools Required



Caulk



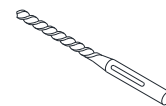
Tape Measure



Pencil



Phillips Screwdriver



Drill bit  
(Ø=5/16")



Drill bit  
(Ø=1/8")



Level



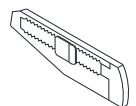
Caulk Gun



Electric Drill

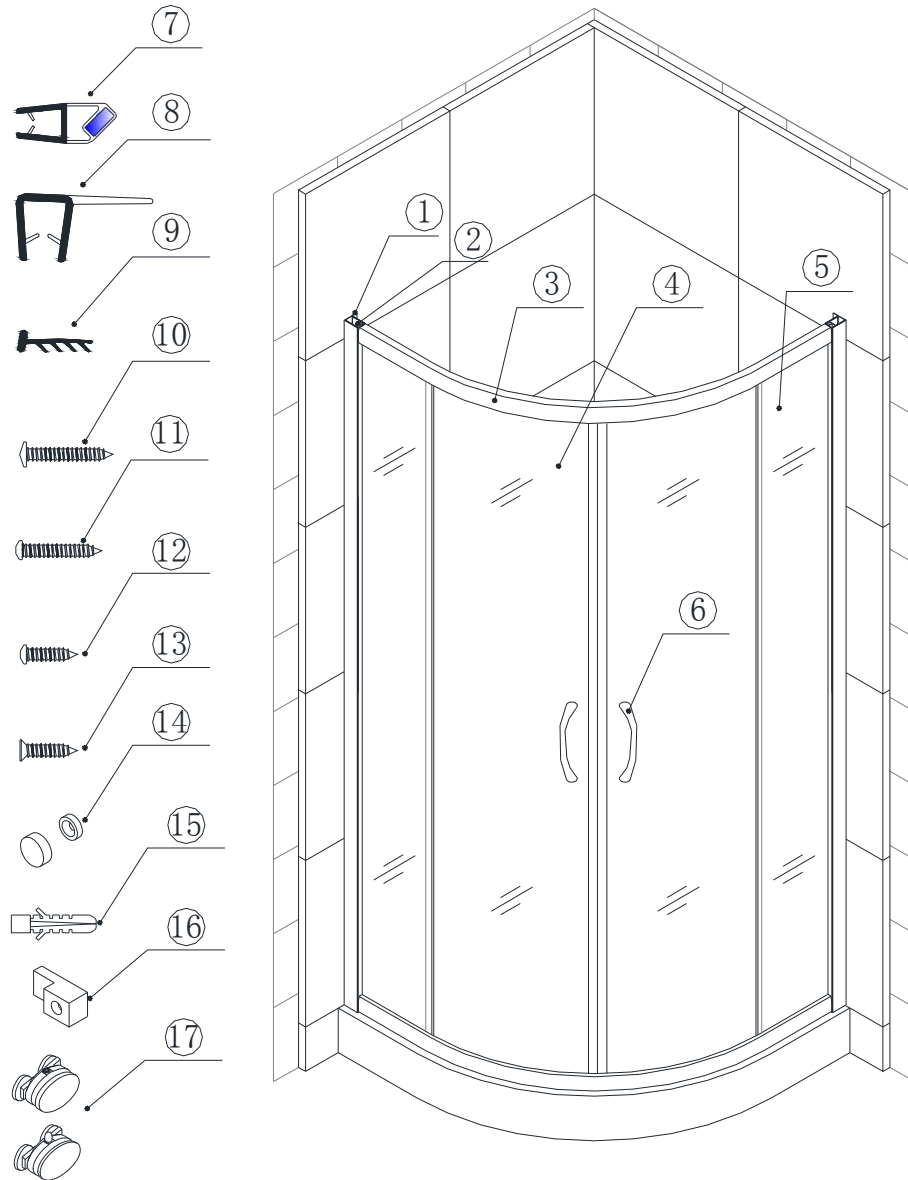


Hammer



Knife

## Detailed Diagram of Shower Enclosure Components



### Packing List

01	Wall profile	2pcs	10	Round head screw ST4.2x30	8pcs
02	Glass profile	2pcs	11	Round head screw ST4.2x25	8pcs
03	Guide rail	2pcs	12	Round head screw ST4.2x10	4pcs
04	Glass door	2pcs	13	Flat head screw ST4.2x16	4pcs
05	Stationary glass	2pcs	14	Decorative cover	4pcs
06	Handle	2pairs	15	Wall anchor	8pcs
07	Magnetic strip	1pair	16	Glass holder	4pcs
08	Anti-water strip	4pcs	17	Wheel assembly	4pairs
09	Single side strip	2pcs			

**NOTE:** Unpack your unit carefully and inspect it. Lay it out and identify all parts using parts diagram and part list in your manual as a reference. Before discarding the carton, check for small hardware bags that tend to fall to the bottom of the box. If any parts are damaged or missing, please contact DreamLine™ for replacement.

**NOTE:** Retain these installation instructions for future reference.

## Shower Enclosure Installation

1. Fasten the bottom **Guide rail (03)** to the **Glass profiles (02)** with the **Round head screws ST4.2x25 (11)**.

See Fig. 1 for details.

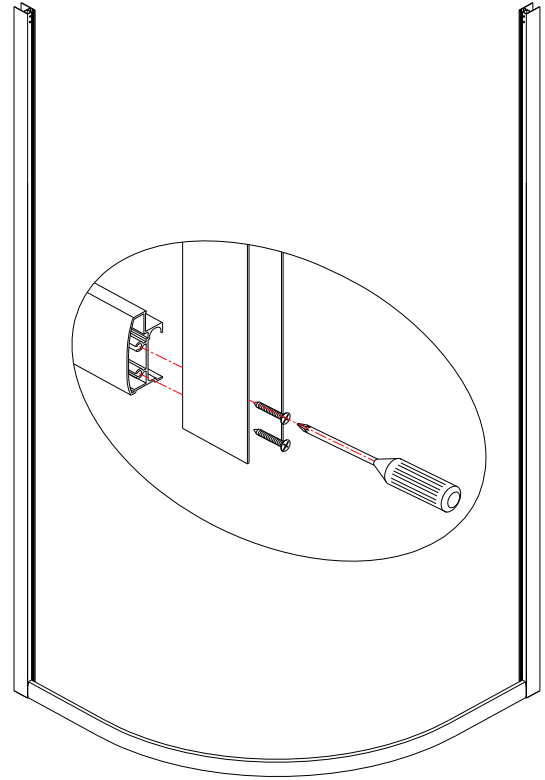


Fig. 1

2. Slide the **Stationary glasses (05)** fully into the groove of the **Glass profiles (02)**, and then fasten it by the **Glass holders (16)** to the bottom **Guide rail (03)**.

See Fig. 2 for details.

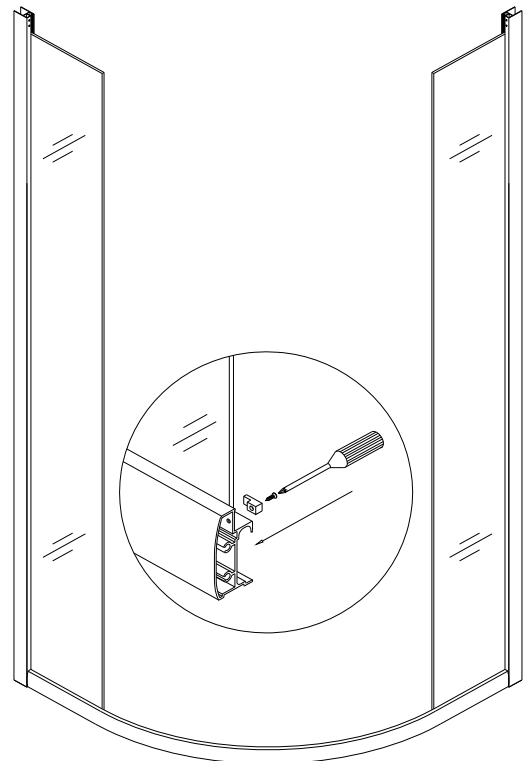


Fig. 2

3. Slightly tap the **Single side strips (09)** in between the **Stationary glasses (05)** and the **Glass profiles (02)** using wooden shim or other piece of wood. The strips should be inserted from the sides that will face inside the shower.

**ATTENTION:**

**Do not use the screwdriver or other metal objects; you can scratch or damage the glass and aluminum.**

See Fig. 3 for details.

4. Repeat Step #1 and Step #2 to fasten the upper **Guide rail (03)** to the **Glass profiles** and secure the **Stationary glasses** by the **Glass holders (16)**.

See Fig. 1 and Fig. 2 for details.

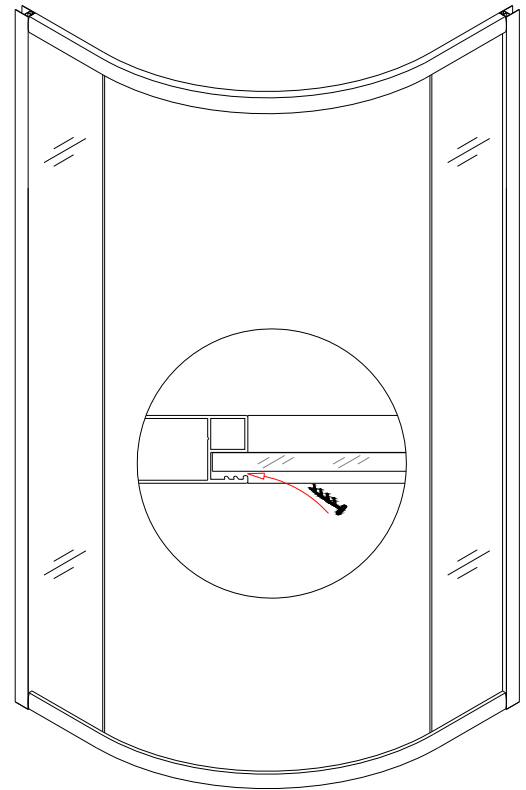


Fig. 3

5. Slide the **Wall profiles (01)** all the way onto the **Glass profiles (02)** on both sides. Make sure the flanges of the **Wall profiles** faces inside the shower.

See Fig. 4 for details.

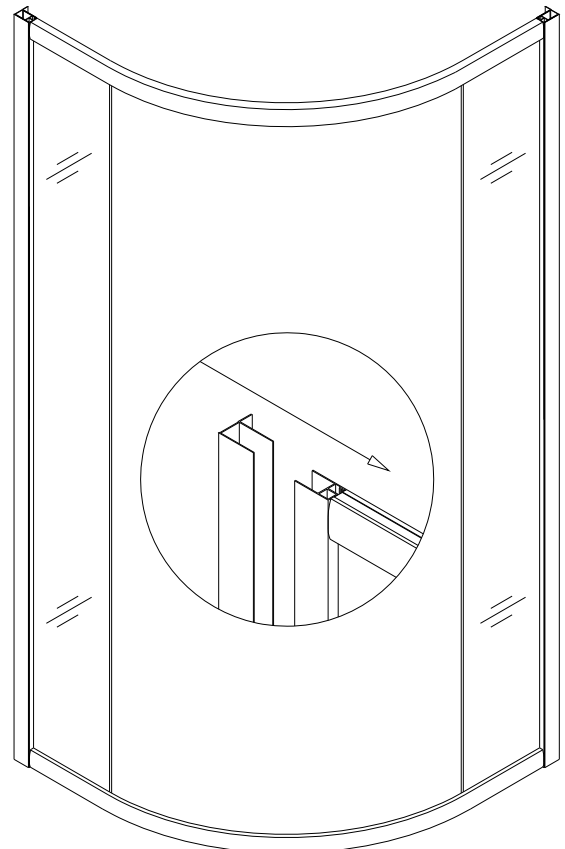


Fig. 4

6. Move the finished frame to the designated position on the shower base, the bathtub or the threshold (depending on your installation); push it against the walls. If your top and bottom wall opening measurements are different or if the walls are out-of-plumb, make adjustment by slightly pulling the **Wall profiles (01)** out of the **Glass Profiles (02)**.

Use the level to adjust the frame in the vertical position

See Fig. 5 for details.

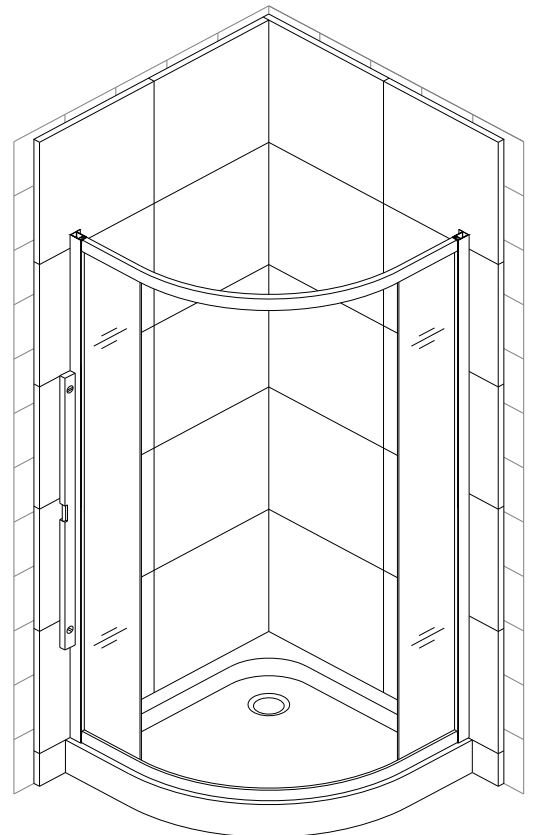


Fig. 5

7. Using help to hold this assembly in the right position, mark the drill holes on the wall through the holes on the flange of the **Wall Profiles (01)**.

Gently set the assembled unit aside; drill the holes using  $\text{\O} 5/16''$  drill bit and insert the **Wall anchors (15)**.

Apply silicone caulk along the **Wall profiles** and around the holes on the wall. Also apply silicone under the bottom **Guide rail (03)**. Place the whole shower assembly back into the designated position and secure it to the walls using the **Round head screws ST4.2x30 (10)**.

See Fig. 6 for details.

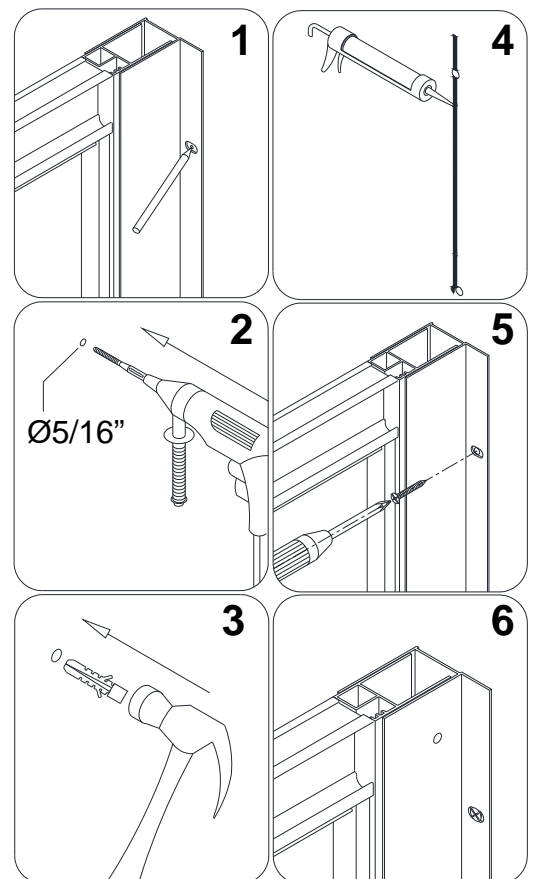


Fig. 6

8. Fasten the top and the bottom **Wheel assemblies (17)** to the **Glass door (04)**. The top wheels can adjust the door level with the adjustable bolt and lock nut. The bottom wheel has a press button to fix the wheel on to the bottom **Guide rail (03)**.

**Note:**

The lock nut of the upper wheel and the press button of the bottom wheel should be pointing up.

See Fig. 7 for details.

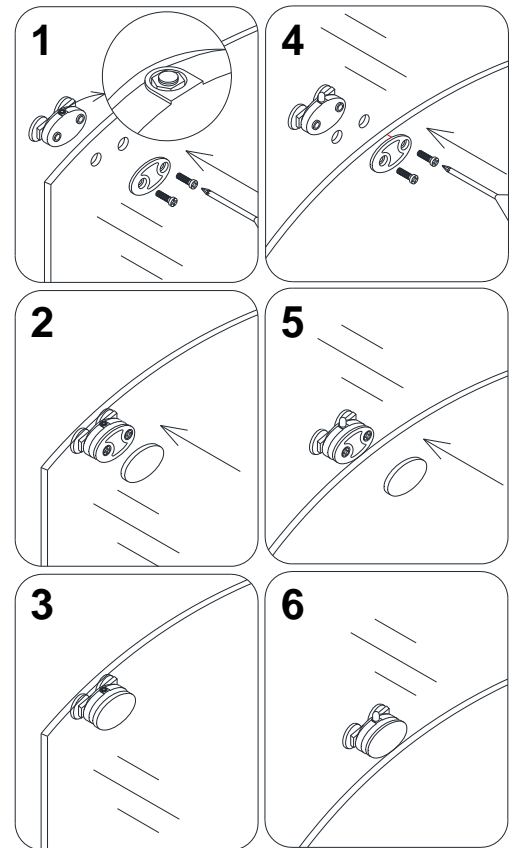


Fig. 7

9. Slide the top door wheels into the top **Guide rail (03)**. Push the bottom wheels into the bottom **Guide rail** by pressing down the button on the **Wheel assembly**.

**NOTE:**

Use the Phillips screwdriver (**do not use power screwdriver**) to adjust upper wheels, make sure they move smoothly and the door closes tight.

See Fig. 8 for details.

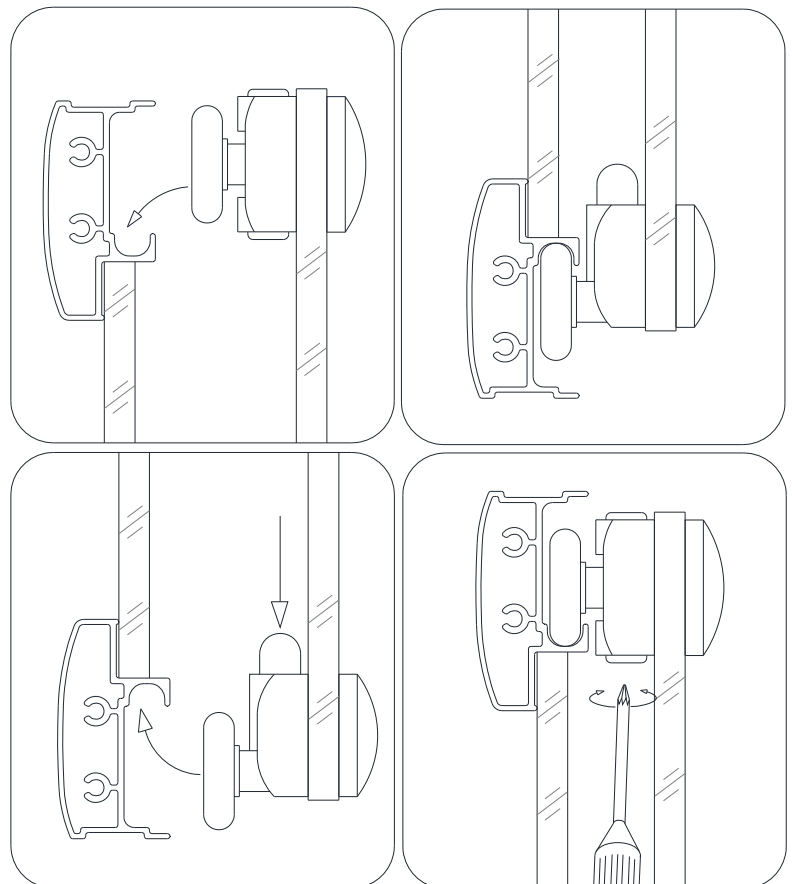


Fig. 8



10. Install the **Handles (06)** to the **Glass doors (04)**.

Press the **Anti-water strips (08)** on the vertical edges of the **Stationary glasses (05)** and both vertical edges of the **Glass doors**. Press the **Magnetic strips (07)** on the vertical edges of both **Glass doors** for tight closing.

See Fig. 9 for details.

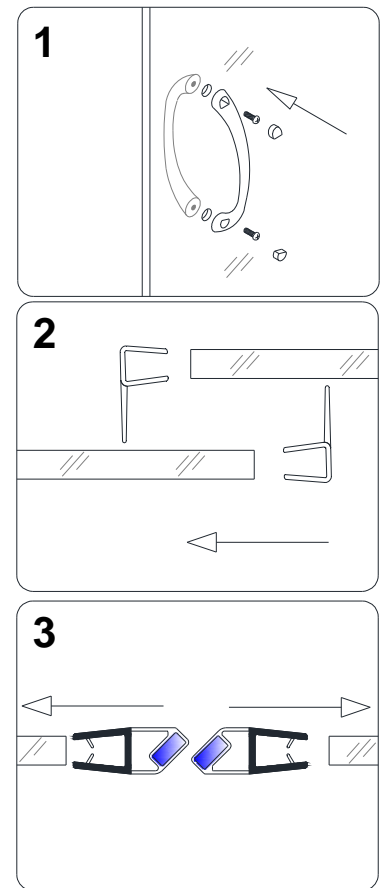


Fig. 9

11. Do the final adjustments of the assembled unit in the **Wall profiles (01)**.

Drill the holes in the **Wall Profile** and **Glass profile (02)** using **Ø 1/8"** drill bit.

**ATTENTION:**

**Do not drill the profiles throughout, only the first layer of the wall profile and the glass profile.**

Secure the **Wall profile** to the **Glass profile** using the **Round head screws ST4.2×10 (12)**.

Cover the exposed screw heads with the **Decorative covers (14)**.

See Fig. 10 for details.

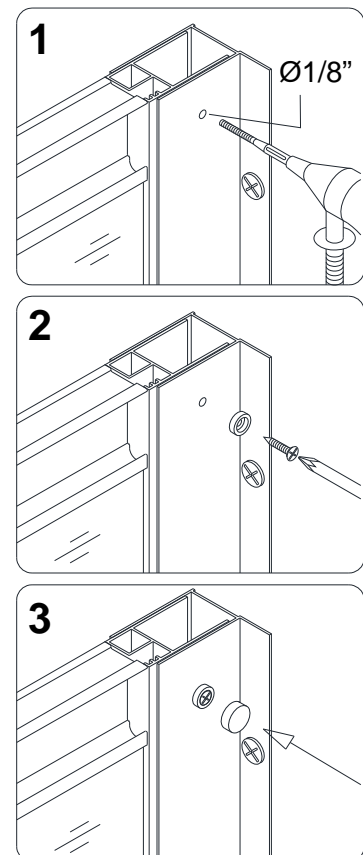


Fig. 10

12. Apply the sealant along the profiles and guide rails; on the seams between the bottom guide rail and the profiles as well as along the shower base or threshold.

See Fig. 11 for details.

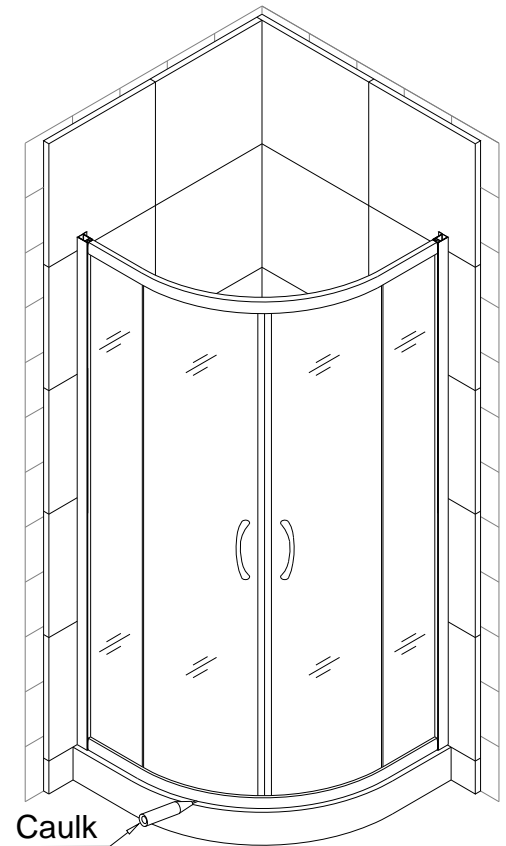


Fig. 11

## **Product Maintenance**

To insure long lasting life for your acrylic back walls, wipe them off after each use with a soft cloth. To clean the acrylic back walls use non-abrasive sprays or cream based cleaners. Never use abrasive cleansers, metal brushes or scrapers that could scratch or dull the surface.

To insure long lasting life for your glass shower products, wipe them off after each use with a soft cloth. Rinse and wipe of the glass using either soft cloth or squeegee to prevent soap buildup. Never use abrasive cleaners and cleaning products that contain scoring agent because this may scratch the surface. Never use bristle brushes or abrasive sponges.

To assure a long lasting finish wipe off the metal parts after each use with a soft cloth. Do not use abrasive cleaners or cleaning products containing ammonia, bleach or acid. If accidentally used, rinse the surface as soon as possible to prevent finish peeling or corrosion. After cleaning the shiny finishes, rinse thoroughly and wipe dry with soft cloth. Clean stainless steel surfaces at least once a week. When applying stainless steel cleaner or polish, work with (not across) the grain. Never use abrasive sponge or cloth, steel wool or wired brushes.

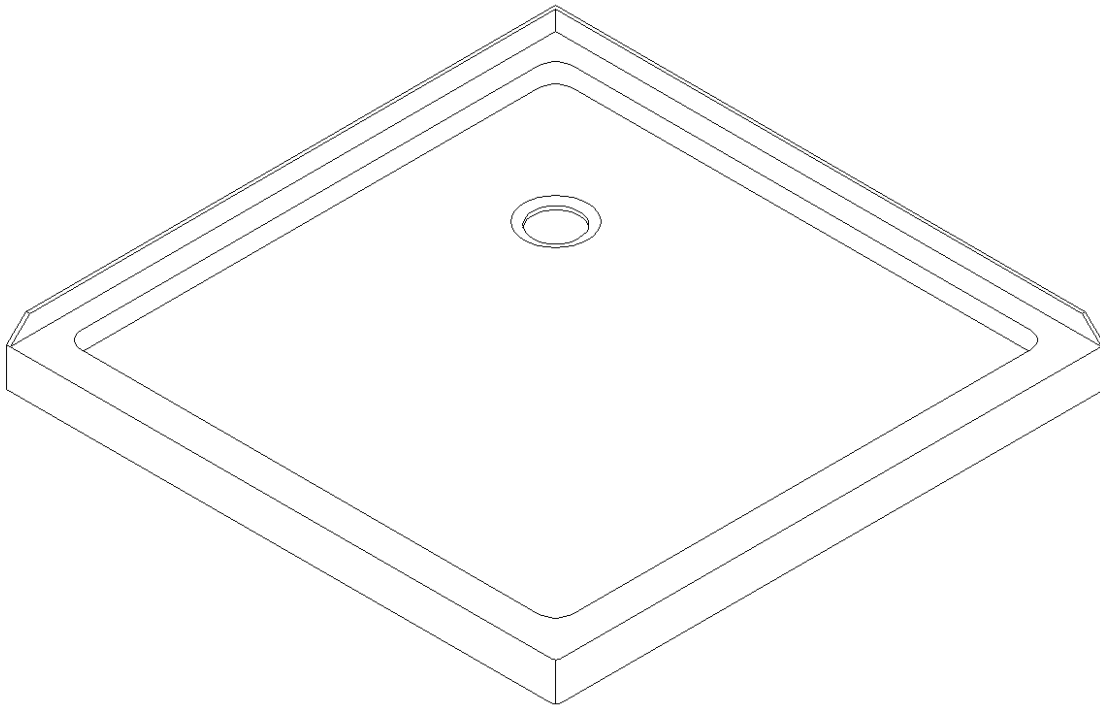


## SLIMLINE SHOWER BASE

### SHOWER BASE DIMENSIONS AND INSTALLATION INSTRUCTIONS

#### IMPORTANT

DreamLine™ reserves the right to alter, modify or redesign products at any time without prior notice. For the latest up-to-date technical drawings, manuals or any other details please refer to the [support.BathAuthority.com](http://support.BathAuthority.com) web page.



Please read these instructions carefully before installing. If you have any questions regarding installation, please call our technical support specialists Monday through Friday 9:00 AM – 5:00 PM EST at Phone: [1-866-731-2244](tel:1-866-731-2244), Fax: [1-866-227-1533](tel:1-866-227-1533) or e-mail our technical support group at [support@BathAuthority.com](mailto:support@BathAuthority.com).

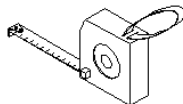
For more information on [DreamLine™ Shower Bases](http://www.BathAuthority.com) please visit [www.BathAuthority.com](http://www.BathAuthority.com)

## Preparation

1. Examine boxes and packages for shipping damage. Carefully remove Shower base from the packaging and check for any visual defects or shipping damages. If the unit has been damaged, has a finishing defect, or has missing parts, please contact our customer support department within 5 business days of the delivery date. Please note that **DreamLine™ will not replace any damaged products or missing parts free of charge after 5 business days or if the product has been installed.** Feel free to contact DreamLine™ if you have any questions.
2. Install all of the required plumbing and drainage before installing the shower. **Use a competent and licensed (if required by local code) plumber for all plumbing installation.**
3. **Please note that you should consult your local building codes with questions on installation compliance standards. Building and plumbing codes may vary by location, and DreamLine is not responsible for code compliance standards for your project.**
4. Please insure that prior to the installation the installation surface is leveled and solid and will be able to support the total weight of the unit. Also make sure the walls are at right angles. While some adjustment in leveling of the tray is possible, irregular installation surface level or improper angle of side walls will result in serious problems for your installation. Please, note that some adjustments and drilling might be necessary during the installation process.

**IMPORTANT NOTE: Dimensions provided for reference only. You must measure the actual shower tray sizes before installation. Allowed tolerance for center of the drain is  $\pm 1/2$ ".**

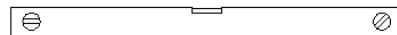
## Tools Required



Tape  
Measure



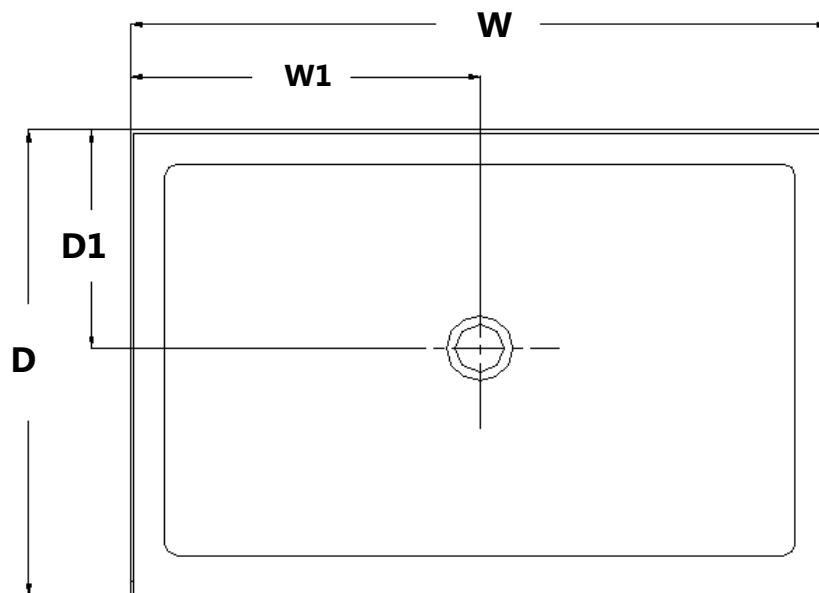
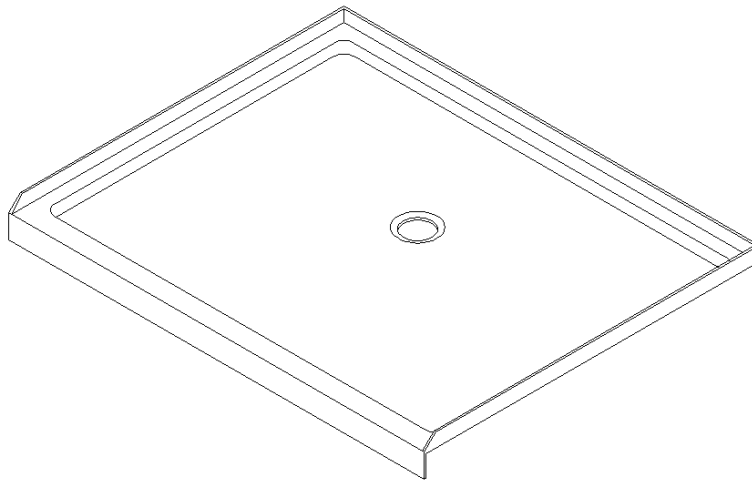
Pencil



Level

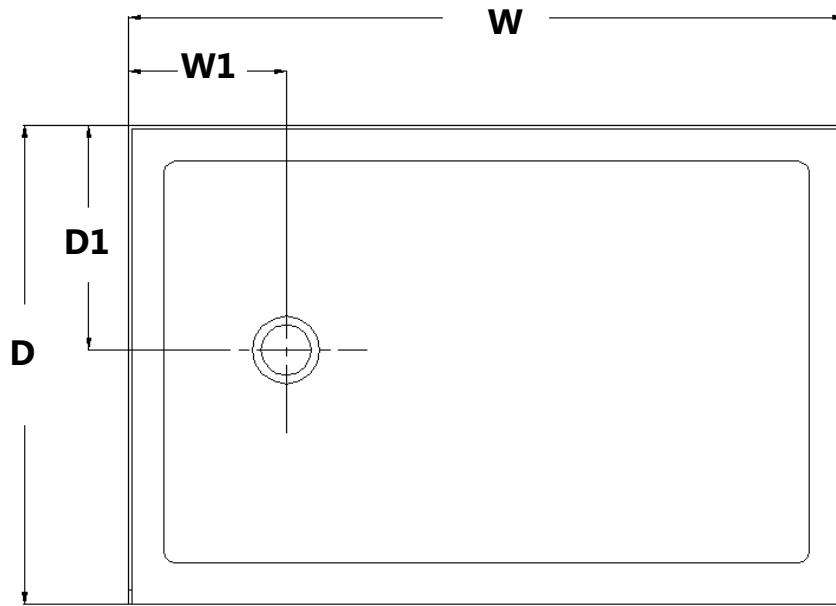
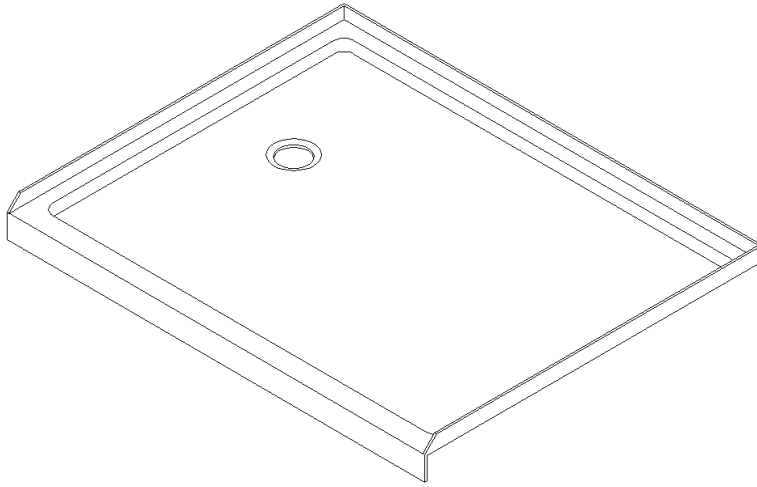
# SINGLE THRESHOLD SHOWER BASE

## Center Drain Configuration



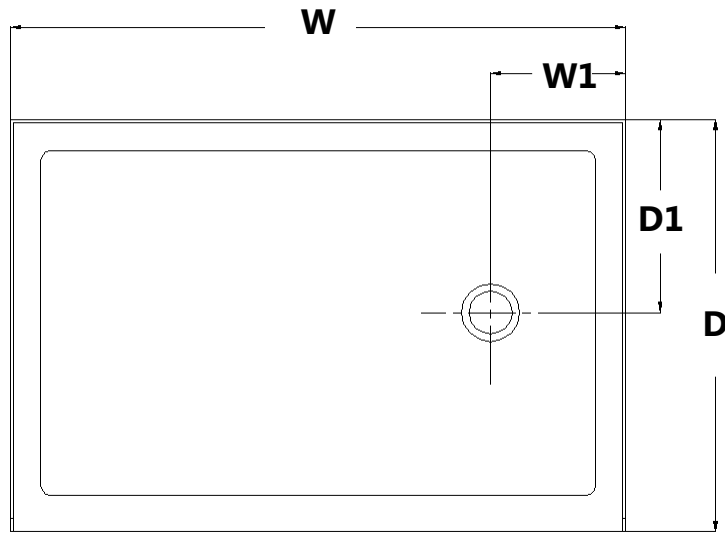
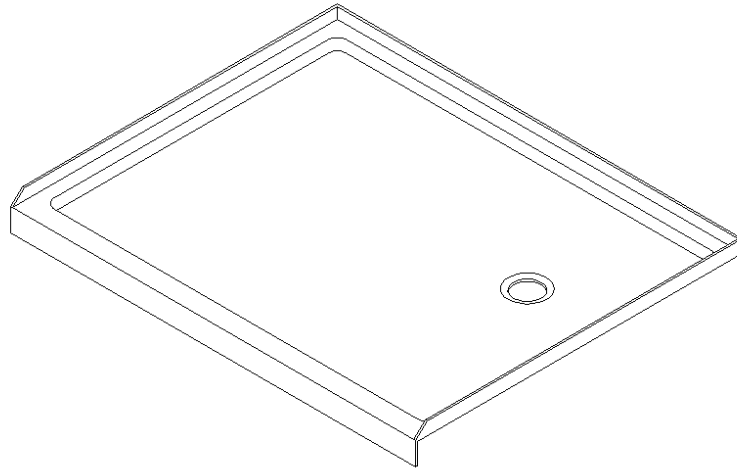
MODEL	SPECIFICATION	D (in)	W (in)	D1 (in)	W1 (in)
DLT-1132320	32"×32"	32"	32"	16"	16"
DLT-1136360	36"×36"	36"	36"	15"	18"
DLT-1136480	36"×48"	36"	48"	15"	24"
DLT-1130600	30"×60"	30"	60"	15"	30"
DLT-1132600	32"×60"	32"	60"	15"	30"
DLT-1134600	34"×60"	34"	60"	15"	30"
DLT-1136600	36"×60"	36"	60"	15"	30"

## Left-Hand Drain Configuration



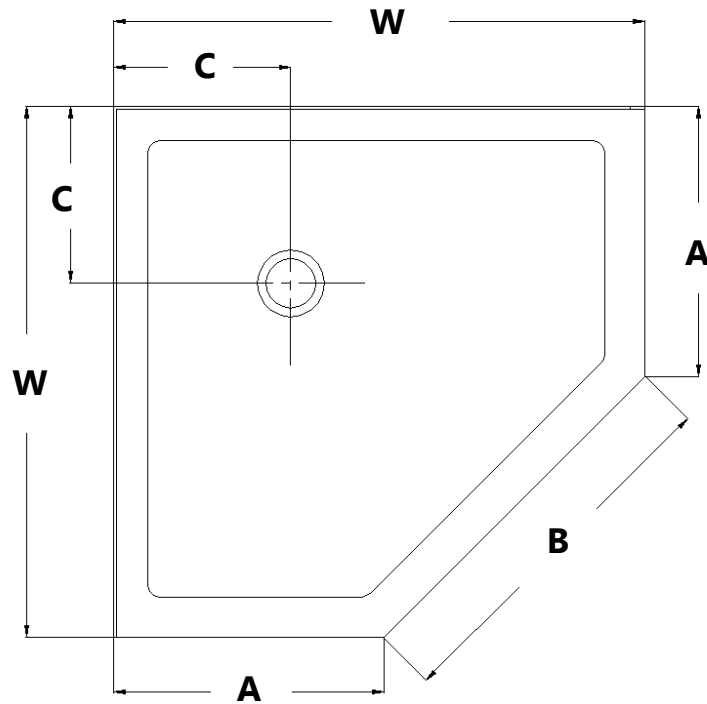
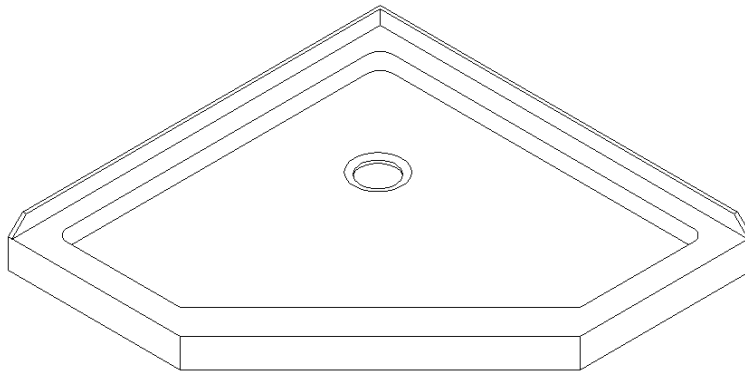
<b>MODEL</b>	<b>SPECIFICATION</b>	<b>D (in)</b>	<b>W (in)</b>	<b>D1 (in)</b>	<b>W1 (in)</b>
DLT-1130601	30"×60"	30"	60"	15"	12"
DLT-1132601	32"×60"	32"	60"	15"	12"
DLT-1134601	34"×60"	34"	60"	17"	12"
DLT-1136601	36"×60"	36"	60"	18"	12"

## Right-Hand Drain Configuration



MODEL	SPECIFICATION	D (in)	W (in)	D1 (in)	W1 (in)
DLT-1130602	30"×60"	30"	60"	15"	12"
DLT-1132602	32"×60"	32"	60"	15"	12"
DLT-1134602	34"×60"	34"	60"	17"	12"
DLT-1136602	36"×60"	36"	60"	18"	12"

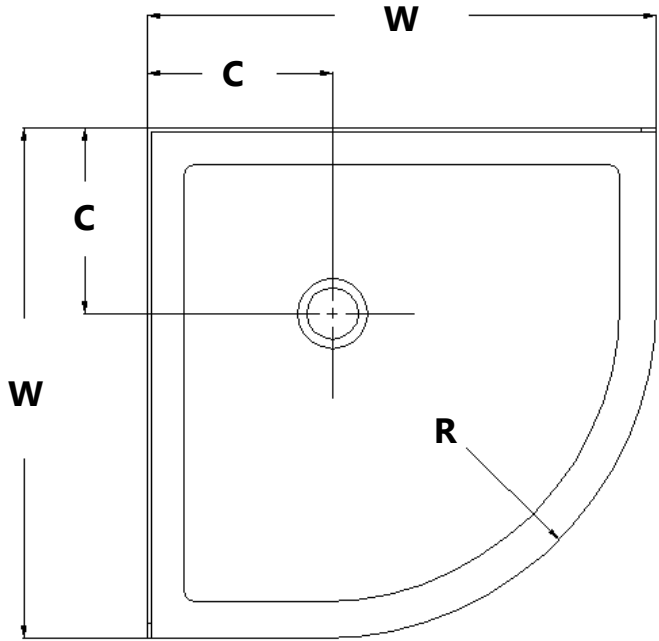
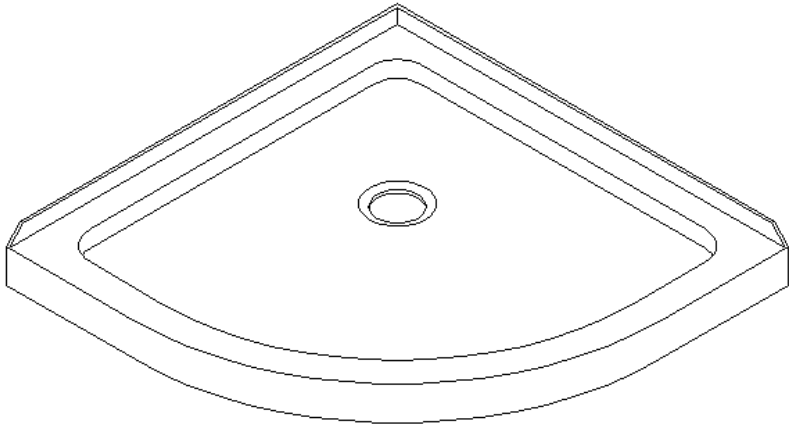
# NEO SHOWER BASE



MODEL	SPECIFICATION	W (in)	A (in)	B (in)	C (in)
DLT-2036360	36"×36"	36"	18 5/16"	25"	12"
DLT-2038380	38"×38"	38"	20 5/16"	25"	12"
DLT-2040400	40"×40"	40"	22 5/16"	25"	14 3/8"
DLT-2042420	42"×42"	42"	24 5/16"	25"	14 3/8"



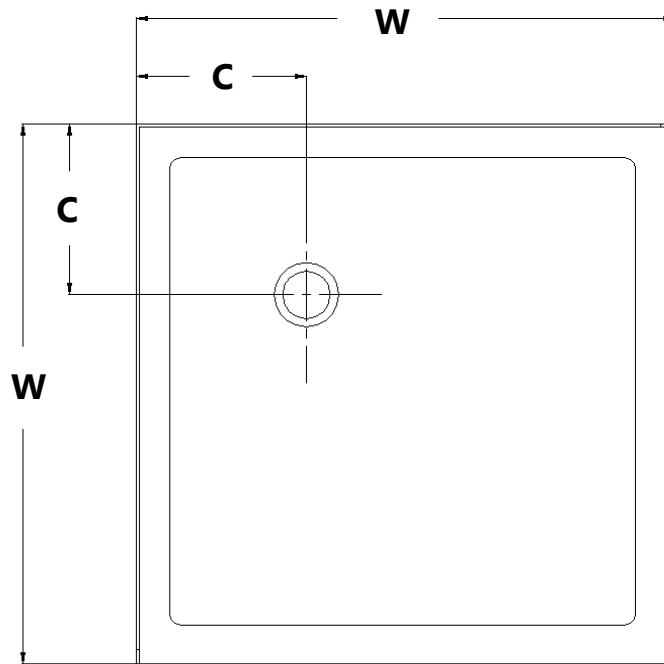
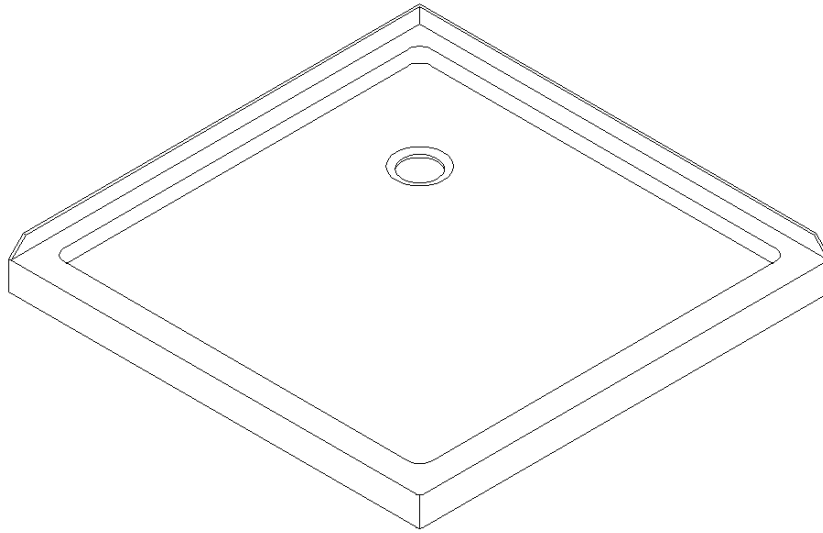
# QUARTER ROUND SHOWER BASE



MODEL	SPECIFICATION	W (in)	C (in)	R (in)
DLT-7033330	33"×33"	33"	12"	21 5/8"
DLT-7036360	36"×36"	36"	12"	21 5/8"
DLT-7038380	38"×38"	38"	12"	21 5/8"

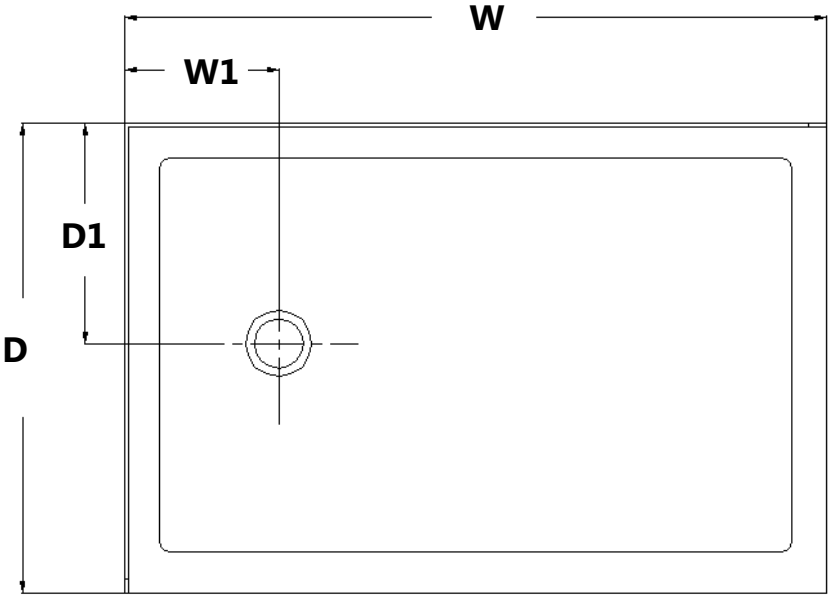
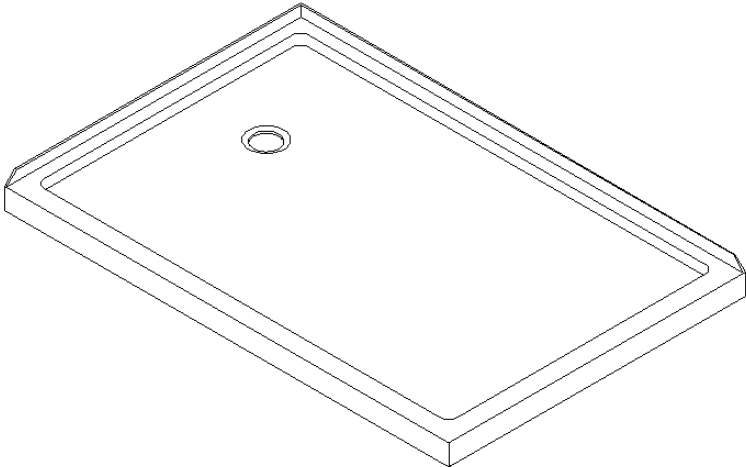
# DOUBLE THRESHOLD SHOWER BASE

## Corner Drain Configuration



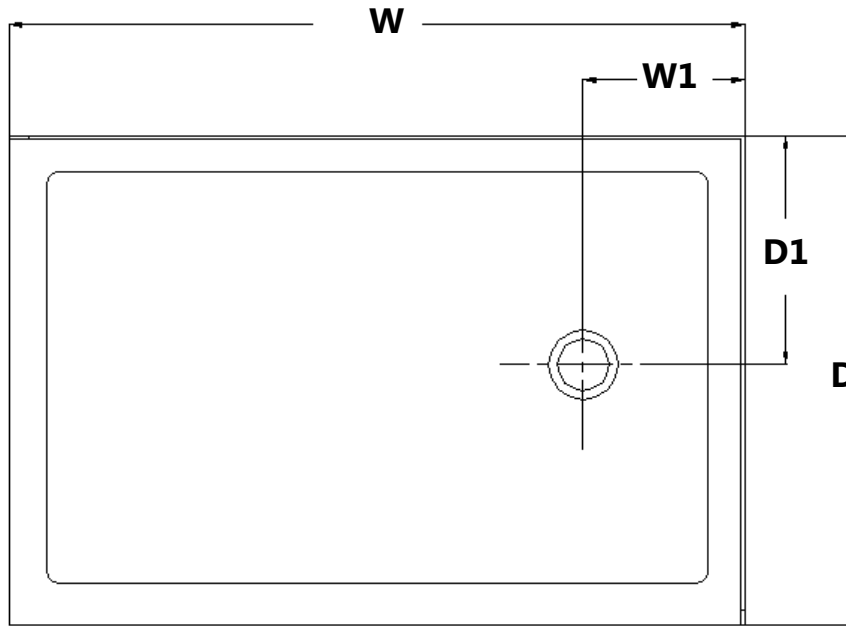
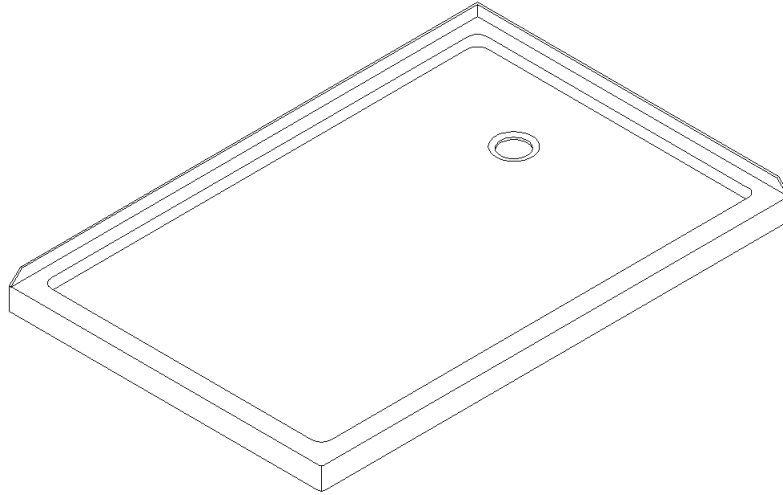
MODEL	SPECIFICATION	W (in)	C (in)
DLT-1032320	32"×32"	32"	12"
DLT-1036360	36"×36"	36"	12"

**Left-Hand Drain Configuration**



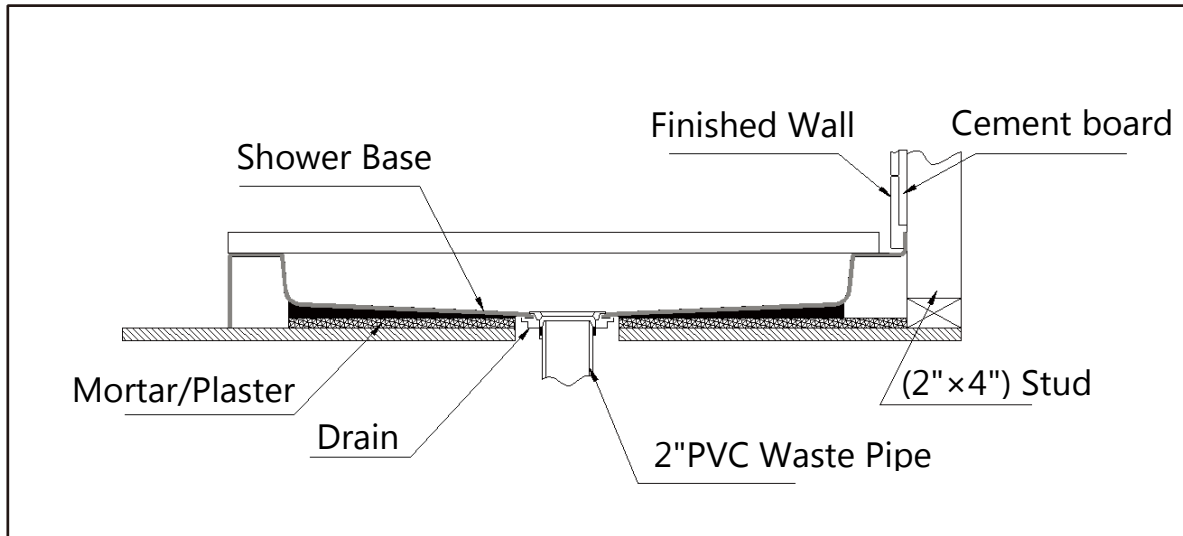
<b>MODEL</b>	<b>SPECIFICATION</b>	<b>D (in)</b>	<b>W (in)</b>	<b>D1 (in)</b>	<b>W1 (in)</b>
DLT-1034481	34"×48"	34"	48"	17"	12"
DLT-1036481	36"×48"	36"	48"	18"	12"
DLT-1036601	36"×60"	36"	60"	18"	12"

## Right-Hand Drain Configuration



MODEL	SPECIFICATION	D (in)	W (in)	D1 (in)	W1 (in)
DLT-1034482	34"×48"	34"	48"	17"	12"
DLT-1036482	36"×48"	36"	48"	18"	12"
DLT-1036602	36"×60"	36"	60"	18"	12"

## Diagram of the Shower Base in a Cross Section



## Shower Base Installation Preparation

1. Ensure that the floor and the studs are at right angle.  
Provide a 5"×5" opening in the sub-floor for the drain.  
The 2" PVC waste pipe should extend above the surface of the sub-floor according to the drain installation instructions and the height of the Shower base.  
Refer to the product drawings in these installation instructions for the drain location.

See Fig. 1 and Fig. 2 for details.

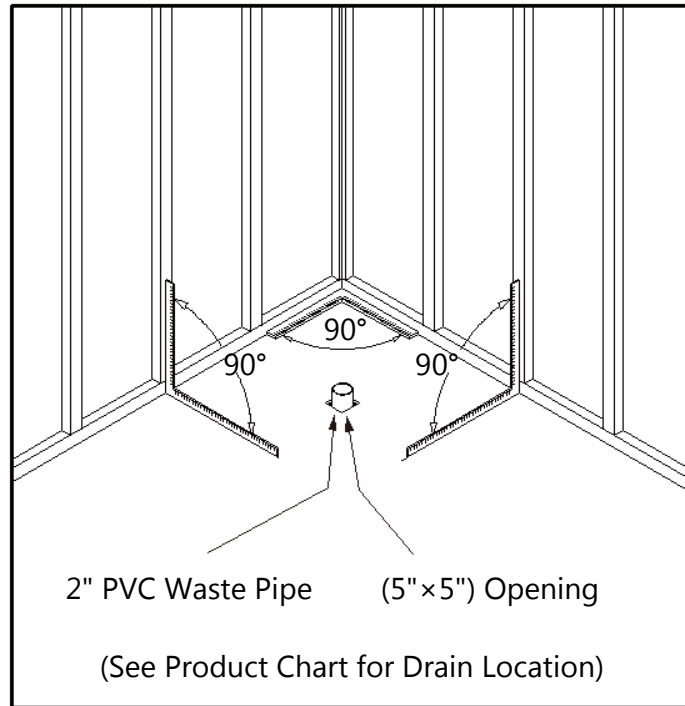


Fig. 1

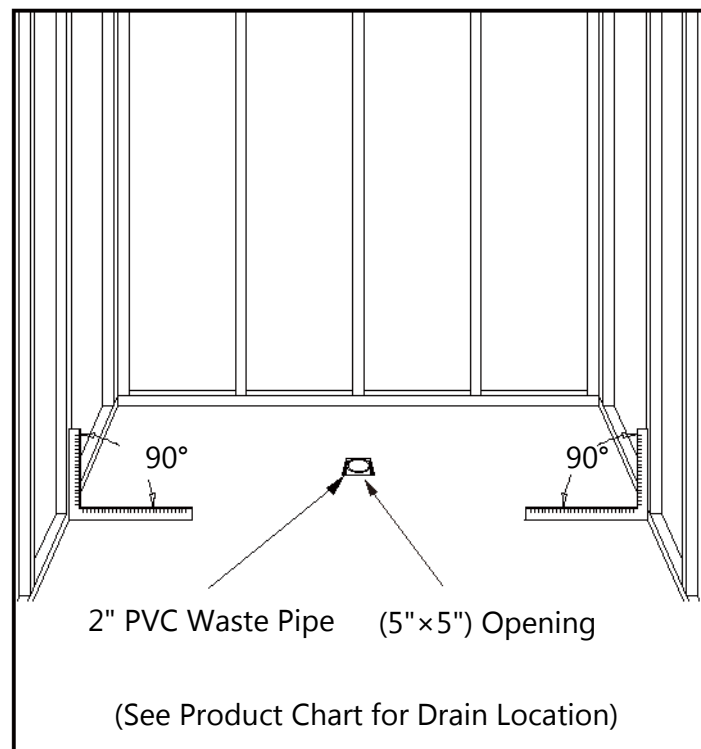


Fig. 2

2. Install the shower drain (**NOT PROVIDED**) according to the drain installation manual (supplied with the drain).

See Fig. 3 for details.

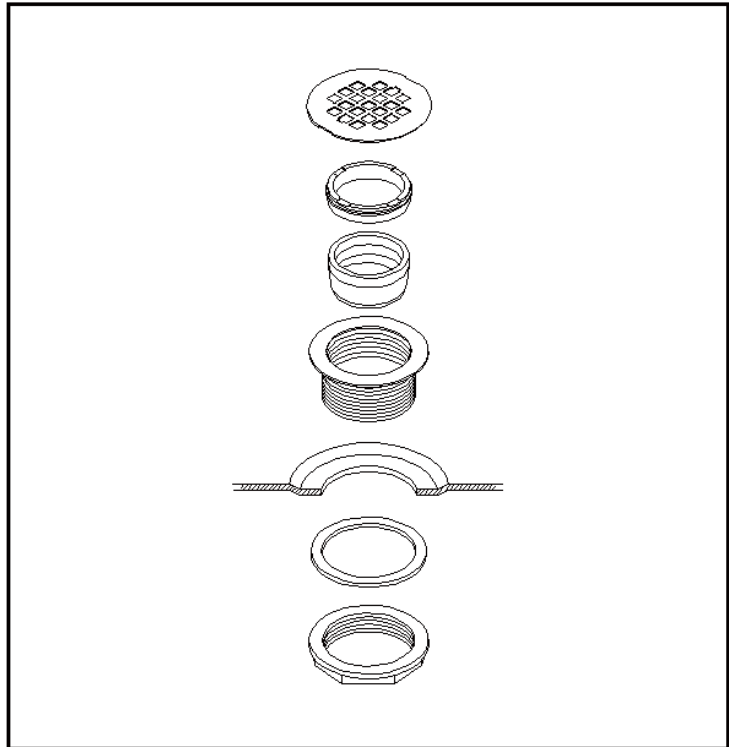


Fig. 3

3. Place the tray into the designated position so that the Drain Body drops around the Drain Pipe and butt the Shower Base up against the studs.

See Fig. 4 for details.

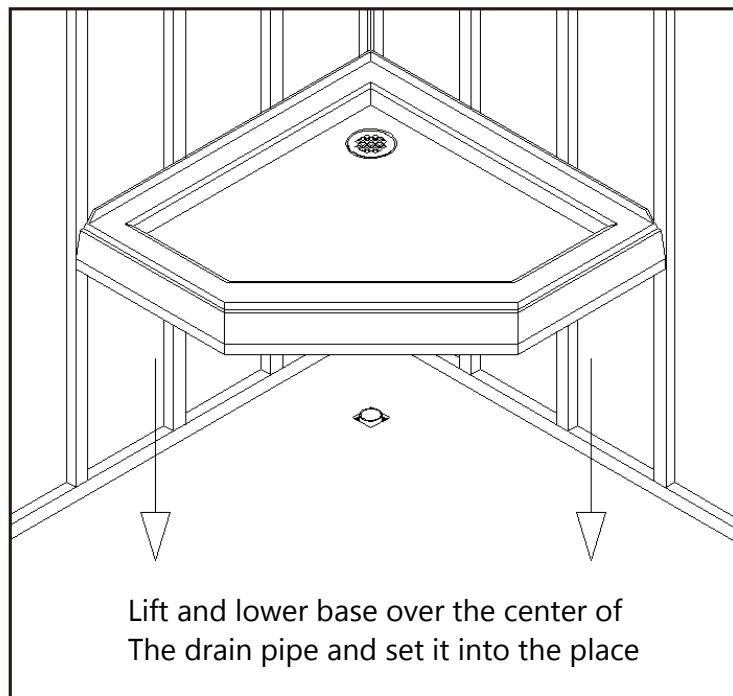


Fig. 4

- Level the tray and place marks on the studs above the upper edge of the tile flange.

See Fig. 5 for details.

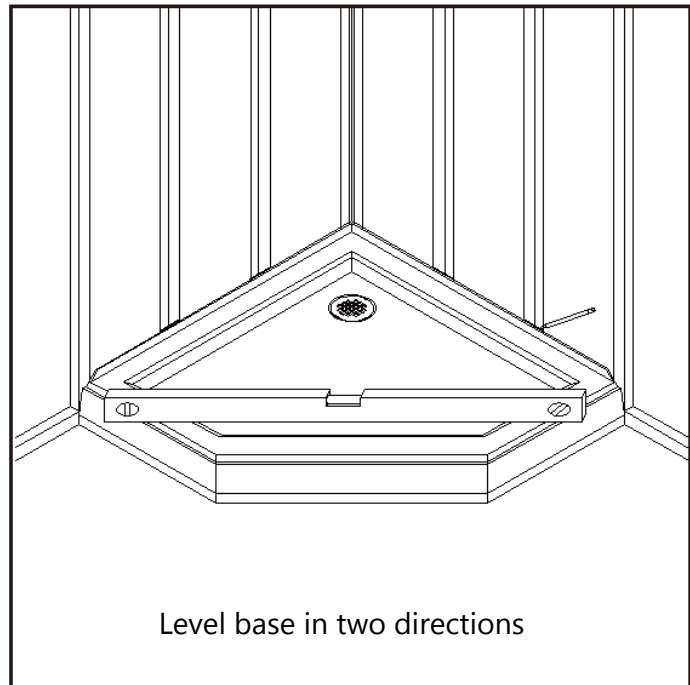


Fig. 5

- Mix the bedding material (Mortar, Plaster, etc). **Concrete is not recommended.** Apply enough bedding material to support the entire bottom of the shower base.

See Fig. 6 for details.

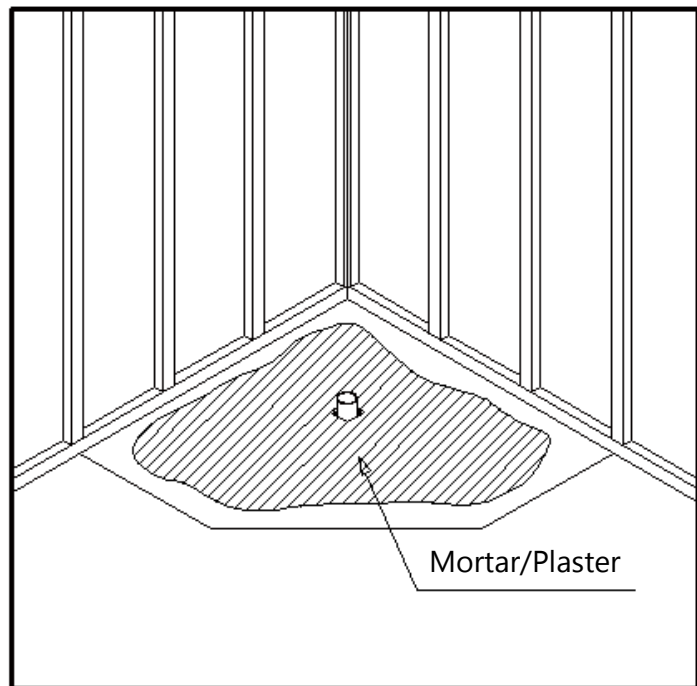


Fig. 6



- After the bedding material has been poured and before it sets, place the shower base into the position with the drain assembly sliding over the PVC waste pipe. It will be necessary to push the shower base until the top of the tile flange aligns with the marks drawn on the studs and the front edge is contacting the rough floor along the entire length of the shower base. Ensure that the base is level in all directions. You may need to use shims to hold the tray in the level until the bedding settles and supports the tray. Remove all extra mortar.

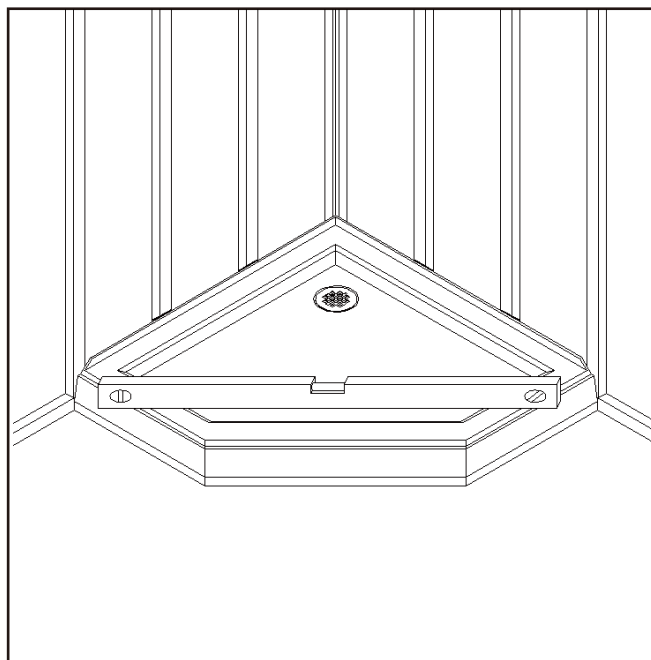


Fig. 7

See Fig. 7 for details.

- Allow the bedding material to completely harden before applying weight to the bottom of the shower base.

Install the cement board (or the wallboard) above the tile flanges and secure it to the studs.

Put the tiles (or other finishing material) over the cement board leaving 1/8" gap between the bottom of the tile and the splash rim of the shower base.

Use caulk to fill that gap.

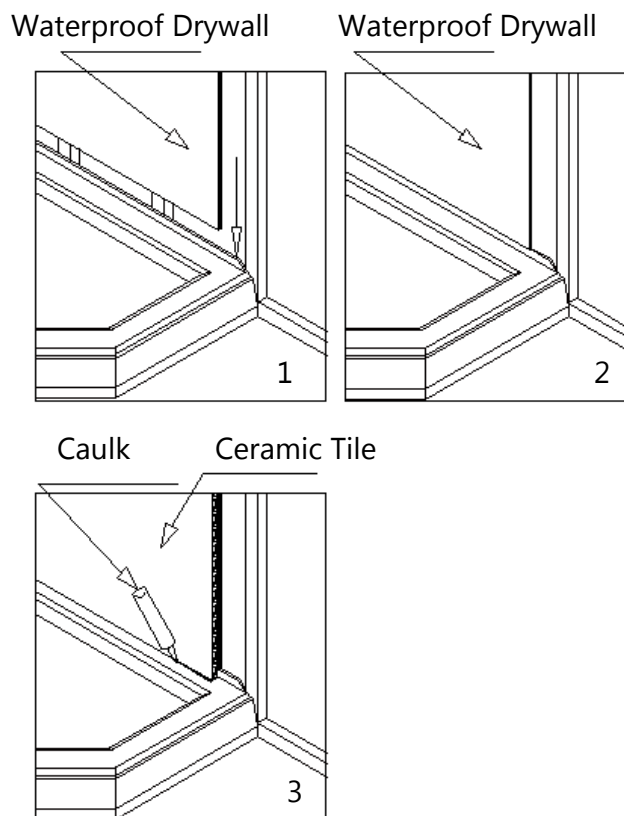


Fig. 8

See Fig. 8 and Fig. 9 for details.

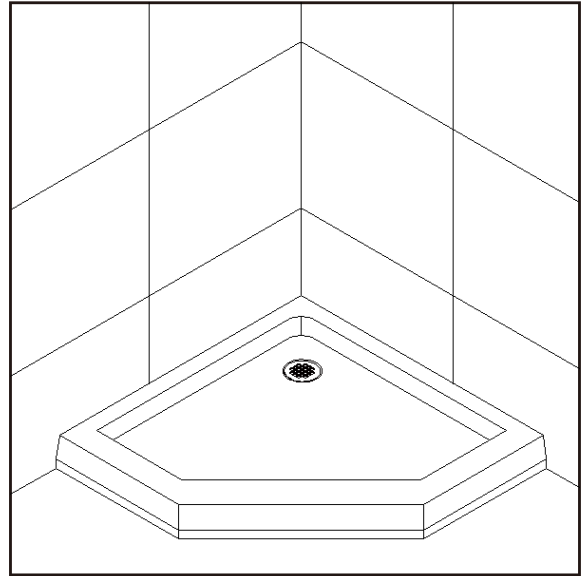


Fig. 9

### **Product maintenance**

To insure long lasting life for your acrylic back walls, wipe them off after each use with a soft cloth. To clean the acrylic back walls use non-abrasive sprays or cream based cleaners. Never use abrasive cleansers, metal brushes or scrapers that could scratch or dull the surface.

To insure long lasting life for your glass shower products, wipe them off after each use with a soft cloth. Rinse and wipe of the glass using either soft cloth or squeegee to prevent soap buildup. Never use abrasive cleaners and cleaning products that contain scoring agent because this may scratch the surface. Never use bristle brushes or abrasive sponges.

To assure a long lasting finish wipe off the metal parts after each use with a soft cloth. Do not use abrasive cleaners or cleaning products containing ammonia, bleach or acid. If accidentally used, rinse the surface as soon as possible to prevent finish peeling or corrosion. After cleaning the shiny finishes, rinse thoroughly and wipe dry with soft cloth. Clean stainless steel surfaces at least once a week. When applying stainless steel cleaner or polish, work with (not across) the grain. Never use abrasive sponge or cloth, steel wool or wired brushes.

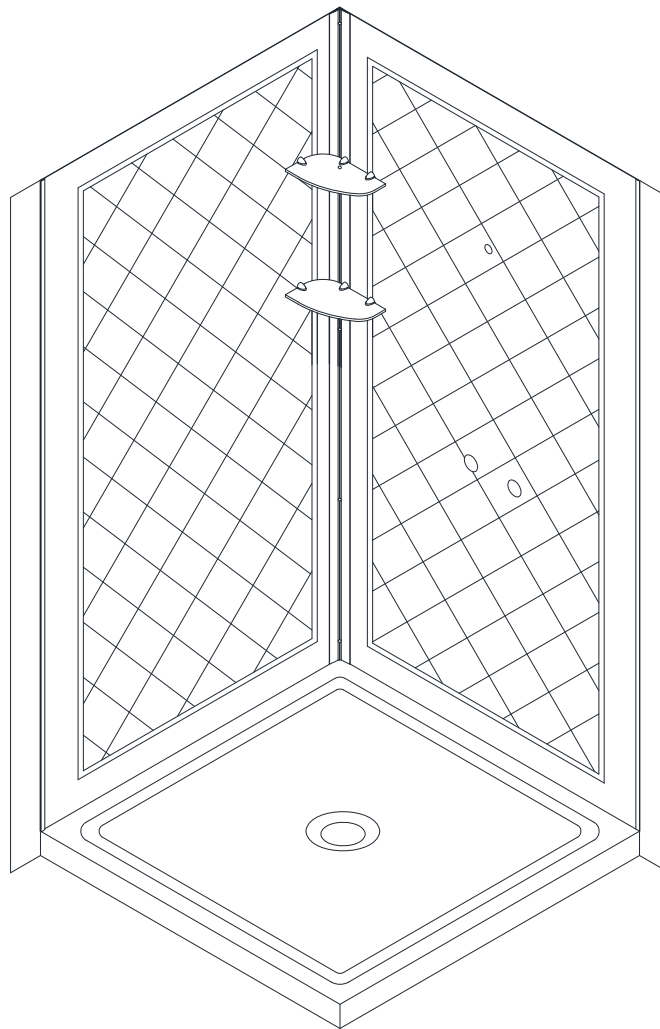


## QWALL – 4

### ACRYLIC SHOWER WALL INSTALLATION INSTRUCTIONS

**IMPORTANT**

DreamLine™ reserves the right to alter, modify or redesign products at any time without prior notice. For the latest up-to-date technical drawings, manuals or any other details please refer to the [support.BathAuthority.com](http://support.BathAuthority.com) web page.



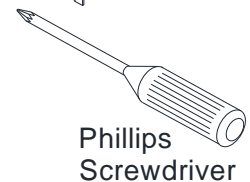
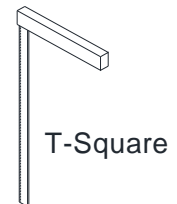
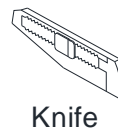
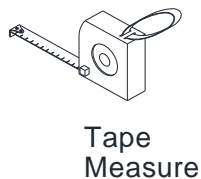
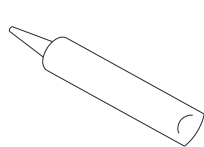
Please read these instructions carefully before installing. If you have any questions regarding installation, please call our technical support specialists Monday through Friday 9:00 AM – 5:00 PM EST at Phone: [1-866-731-2244](tel:1-866-731-2244), Fax: [1-866-227-1533](tel:1-866-227-1533) or e-mail our technical support group at [support@BathAuthority.com](mailto:support@BathAuthority.com).

For more information on [DreamLine™ Shower Back Wall](http://www.BathAuthority.com) please visit [www.BathAuthority.com](http://www.BathAuthority.com)

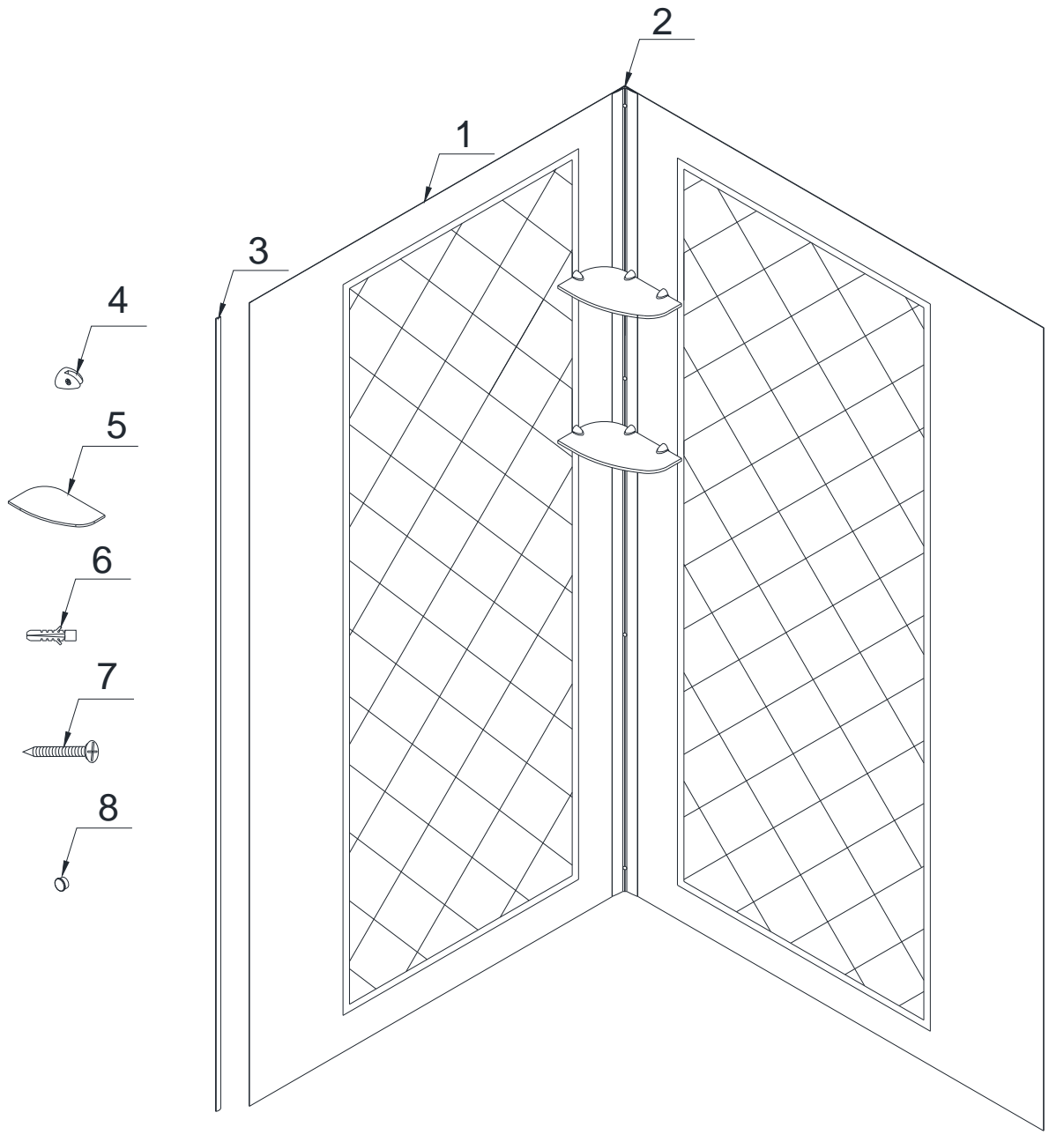
## Preparation

1. After opening all boxes and packages, read this introduction carefully. Check that all of the needed parts are included in the package, by marking all the components on the "Detailed Diagram of Shower Door Components". Examine boxes and packages for shipping damage. If the unit has been damaged, has a finishing defect, or has missing parts, please contact our customer support department within 5 business days of the delivery date. Please note that **DreamLine™ will not replace any damaged products or missing parts free of charge after 5 business days or if the product has been installed.** Feel free to contact DreamLine™ if you have any questions.
2. **Please note that you should consult your local building codes with questions on installation compliance standards. Building and plumbing codes may vary by location, and DreamLine is not responsible for code compliance standards for your project.**
3. This acrylic wall system is specially designed to be installed over any solid surface. If you are installing the acrylic walls over the existing tiles, remove all loose tiles before the installation. If you are installing over the existing painted walls, take all loose paint off. Please, note that some cutting and drilling might be necessary during the installation process.
4. Make sure to turn off the water supply, remove faucet, handles or any fixture trims protruding from the wall. Clean the surface removing soap film and dirt from all wall surfaces using regular household detergent, and then wipe it dry.

## Tools Required



## Detailed Diagram of Acrylic Shower Wall Components



### Packing List

01	Side panel	2pcs	05	Glass shelf	2pcs
02	Corner cover	1pc	06	Wall anchor	11pcs
03	Decorative edge molding	2pcs	07	Countersunk screw ST4.2×30	11pcs
04	Shelf bracket	6pcs	08	Decorative cover	5pcs

**NOTE:** Unpack your unit carefully and inspect it. Lay it out and identify all parts using the detailed diagram and packing list in your manual as a reference. Before discarding the carton, check for small hardware bags that tend to fall to the bottom of the box. If any parts are damaged or missing, please contact DreamLine™ for replacement.

**NOTE:** Retain these installation instructions for future reference.

## Preparation for Installation of Side Panel

### **ATTENTION:**

If you are installing a shower enclosure with a wall profile, you can hide the edge of the **Side panel (01)** behind the wall profile.

See Fig. 1 for details.

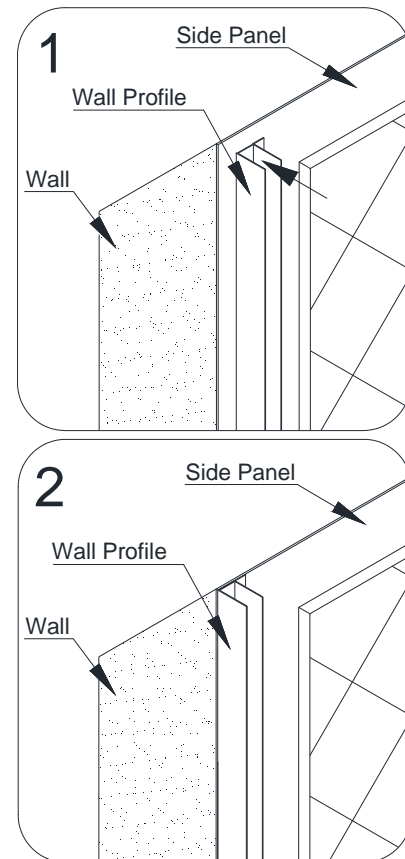


Fig. 1

1. Place a mark on the walls with a distance of **1" (one inch)** from the corner and draw a plumb vertical line from top to bottom.

See Fig. 2 for details.

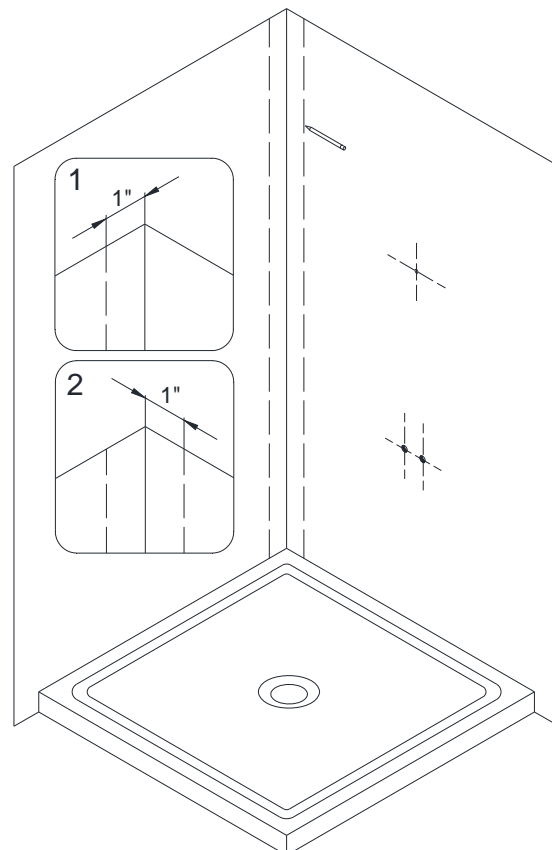


Fig. 2

2. Measure the walls of the shower from the **1" (one inch)** line in the corner (from Step. 1) to the points where you want **Side panels (01)** to end.  
The distances are "**D1**" and "**D2**".

**NOTE:**

"D2" Shows wall with the fixture.

See Fig. 3 for details.

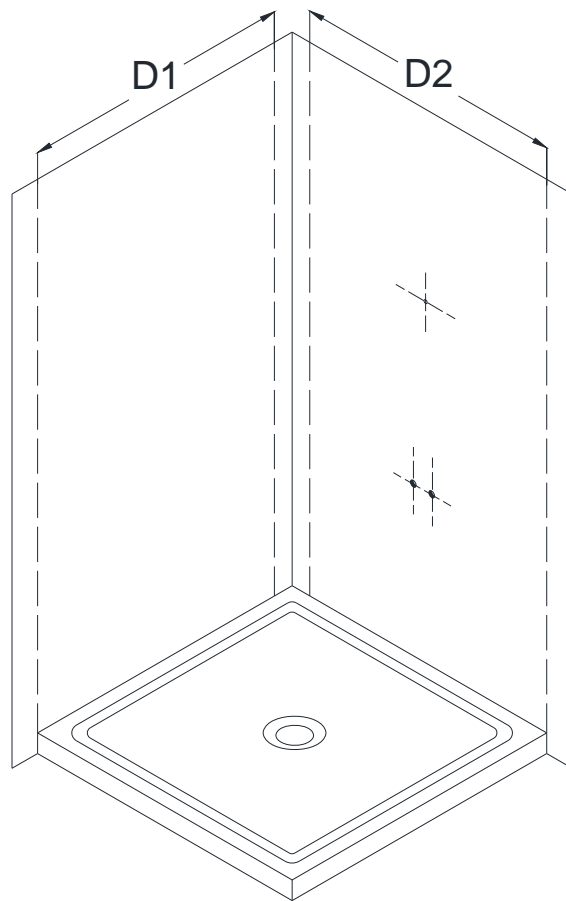


Fig. 3

3. Determine the position of both **Side panels (01)**.

**NOTE:**

- a) The narrow edge of the **Side panels** fits behind the corner cover and cannot be trimmed.
- b) The wide edge of the **Side panel** can be trimmed to the size of your measurements from step 2.

Measure from the narrow edge of the **Side panel** and place a mark at a distance of "**D1**" and "**D2**" (that you measured in Step 2). Draw a straight line from top to bottom along the wide edge of the **Side panel**.

See Fig. 4 for details.

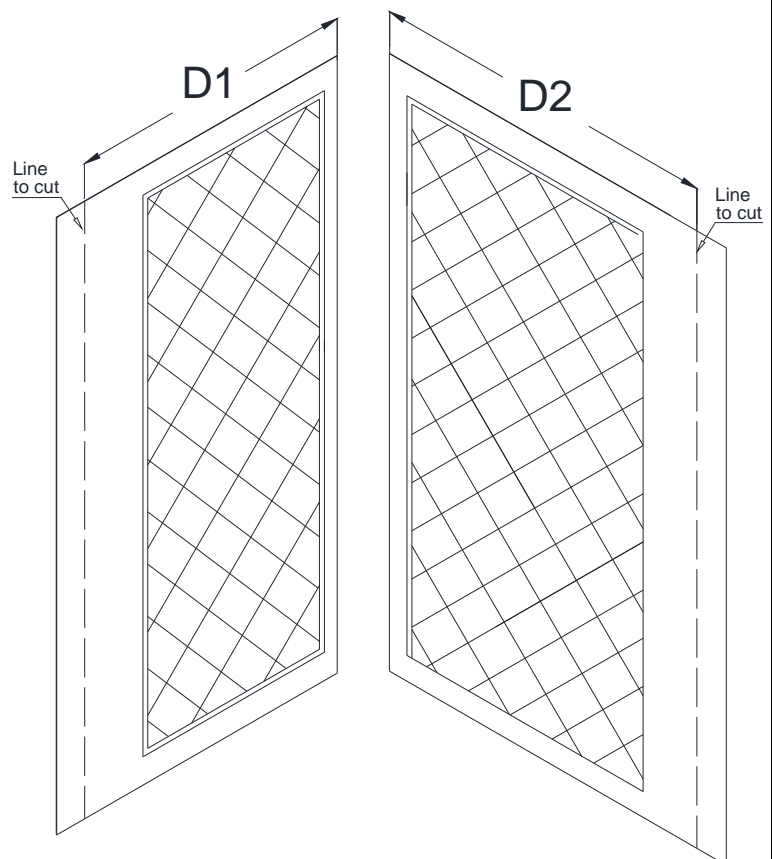


Fig. 4

4. Place the **Side panel (01)** on a flat piece of plywood or particle board. Use a sharp industrial knife and a T-square to score along the marked wide ends of the **Side panel** and continue scoring until you have fully cut through the panel.

See Fig. 5 and Fig. 6 for details.

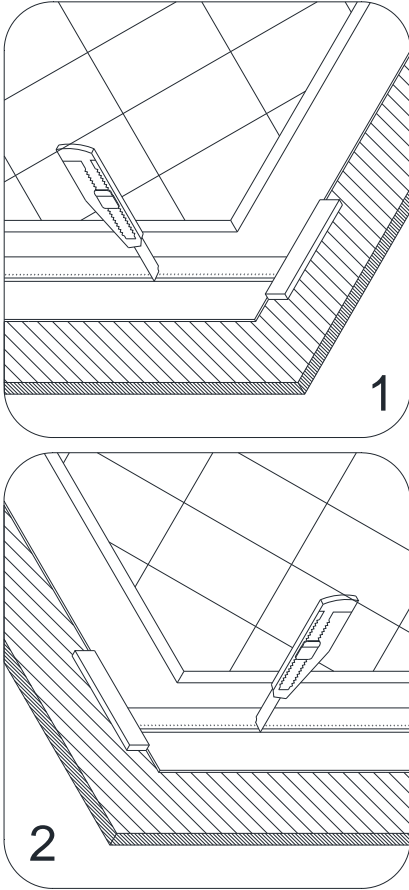


Fig. 5

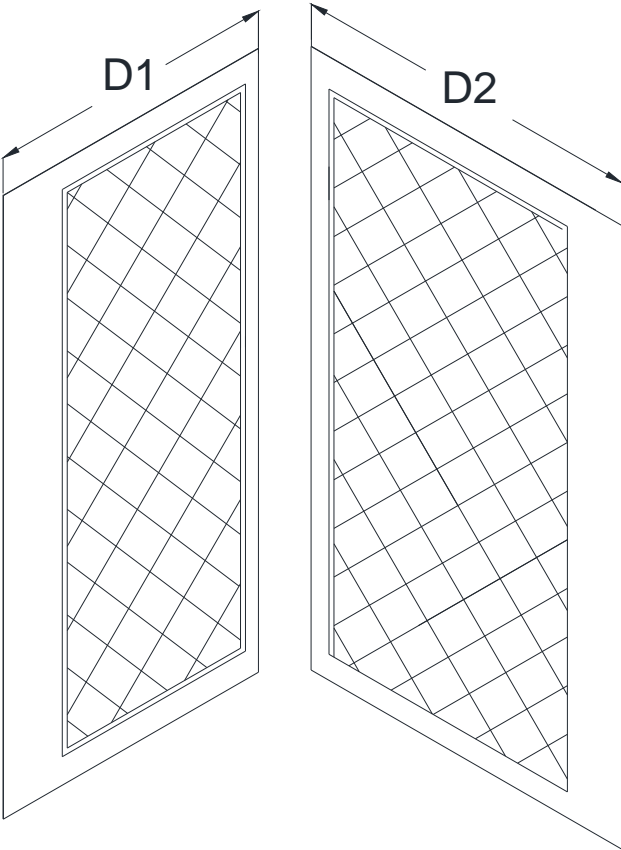


Fig. 6



5. Take exact measurements of the fixture on the wall:

- from the **1" (one inch)** line in the corner of the shower to the fixture:  
**(A, B, C)**
- from the bottom of the wall of the shower to the fixture:  
**(E, F).**

See Fig. 7 for details.

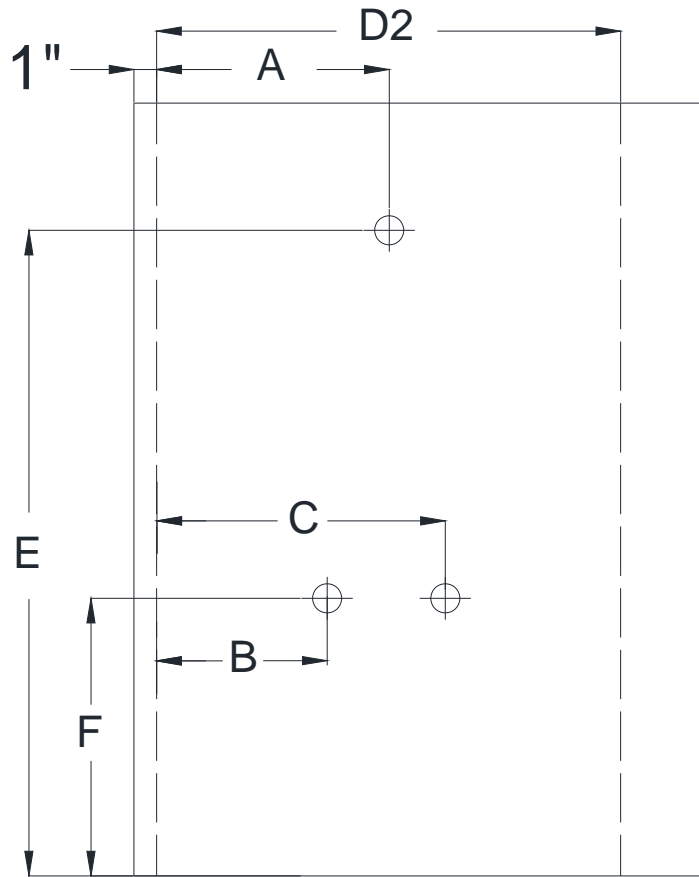


Fig. 7

6. Determine which **Side panel (01)** will be installed on the side wall with the fixture.  
Mark the fixture location on the **Side panel** according to the measurements taken in Step. 5.

See Fig. 8 for details.

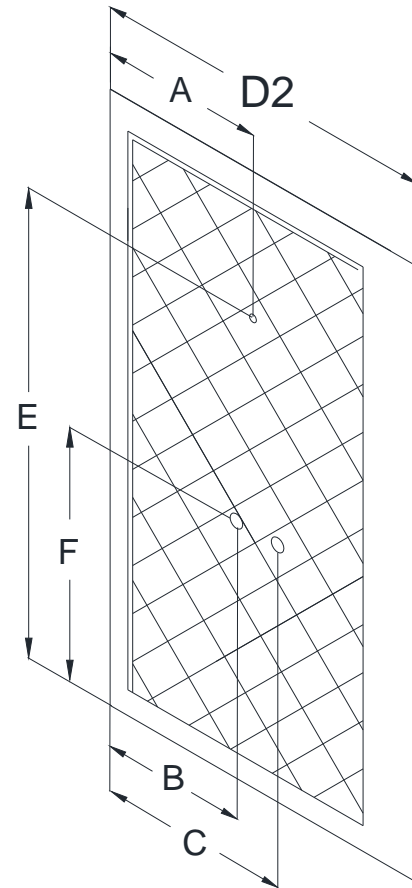


Fig. 8

7. Drill the holes for the fixtures in the **Side panel (01)** using the proper diameter saw bit or a handheld jig saw.

See Fig. 9 for details.

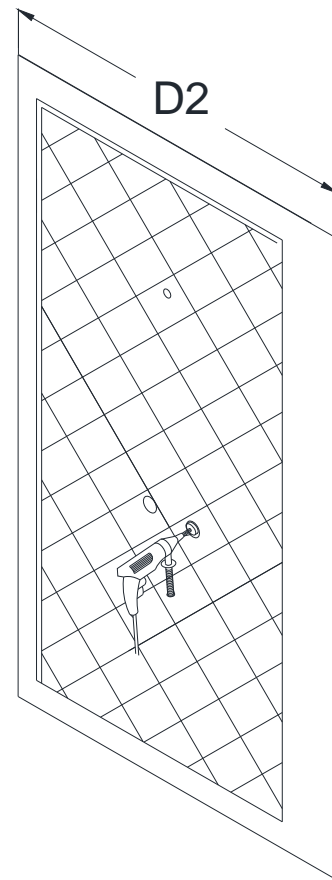


Fig. 9

### **Acrylic Side Panel Installation Instruction**

8. Attach the **Corner cover (02)** to the corner of the shower and mark the drilling holes through the predrilled holes in the **Corner cover**.

Move aside the **Corner cover**, Drill the holes using **Ø5/16"** drill bit and insert the **Wall Anchors (06)**.

See Fig. 10 and Fig. 11 for details.

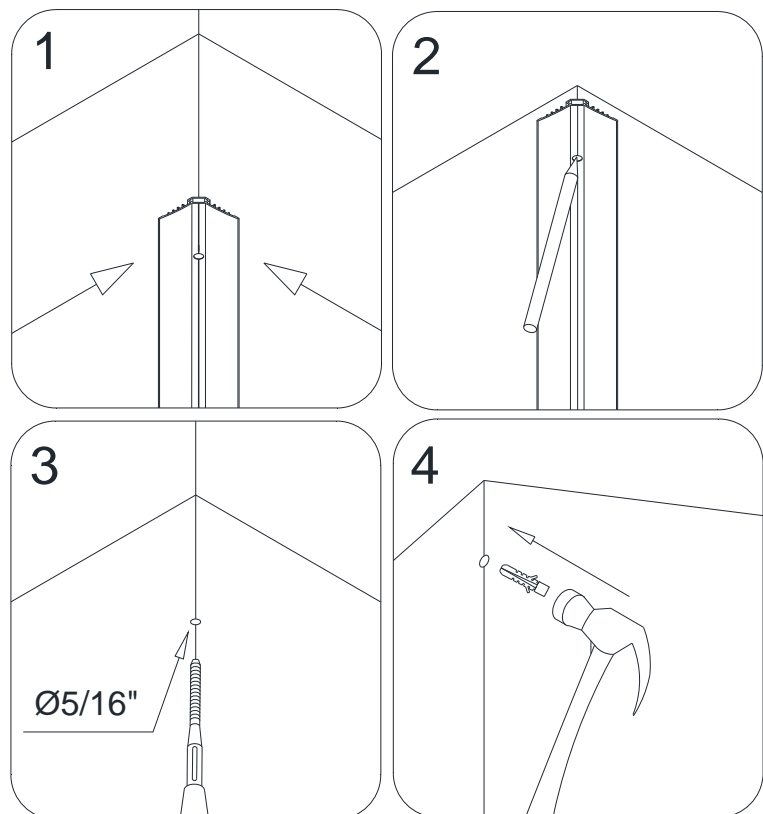


Fig. 10

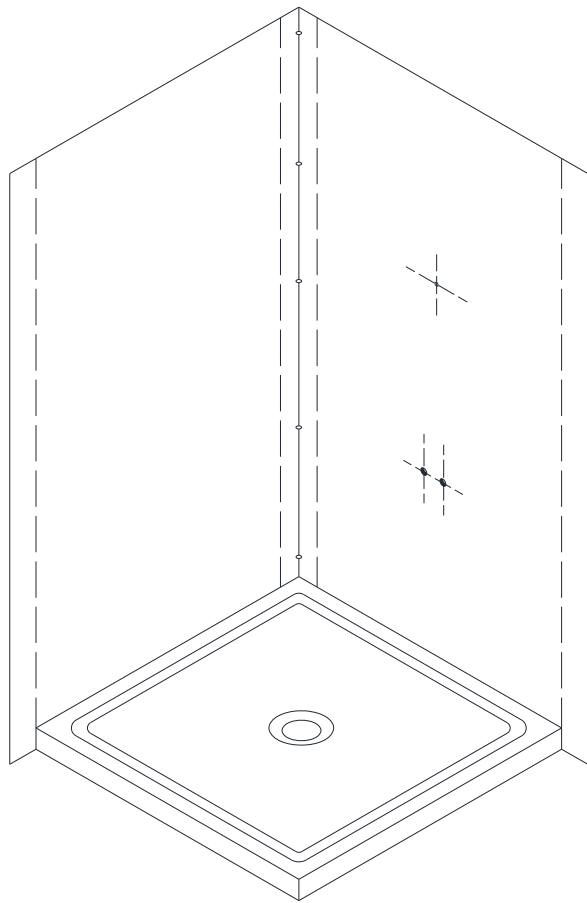


Fig. 11

9. Mount the **Corner cover (02)** to the corner of the shower using the **Countersunk screws ST4.2×30 (07)**. Do not fully tighten the screws at this time; leave them loose for further installation.

See Fig. 12 and Fig. 13 for details

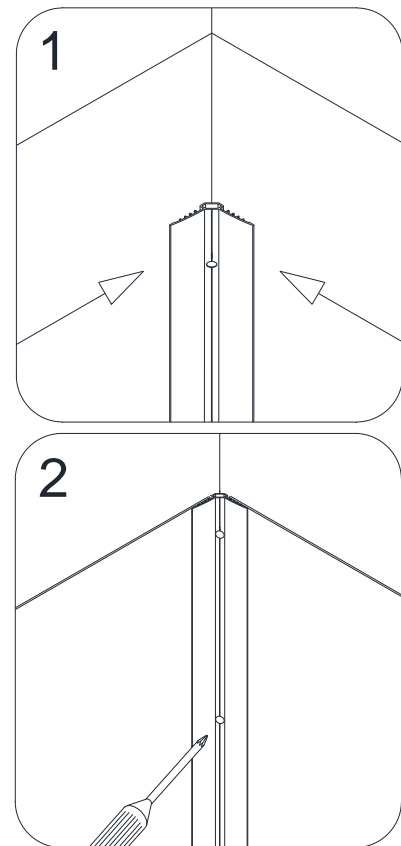


Fig. 12

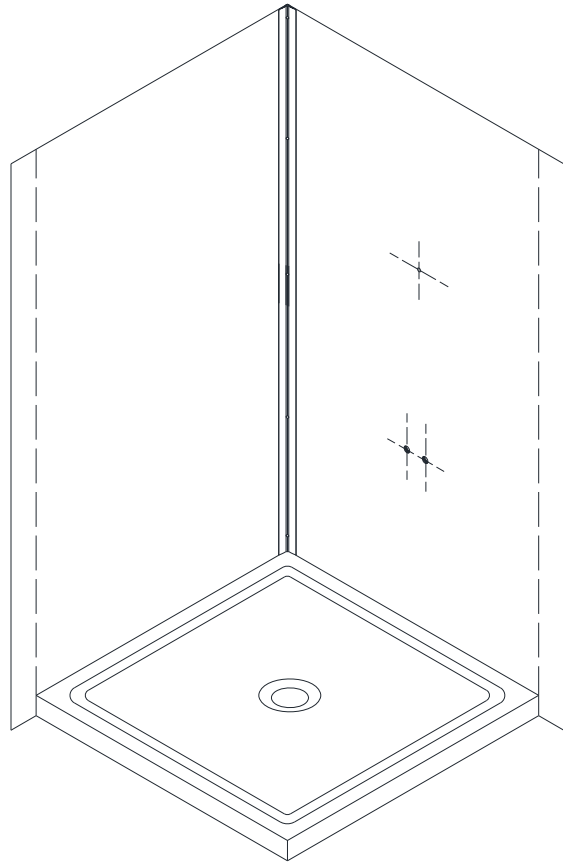


Fig. 13

10. Apply the sealant to the entire surface of the reverse side of the **Side panel (01)**. Also, apply the sealant around the drilled holes.

See Fig. 14 for details.

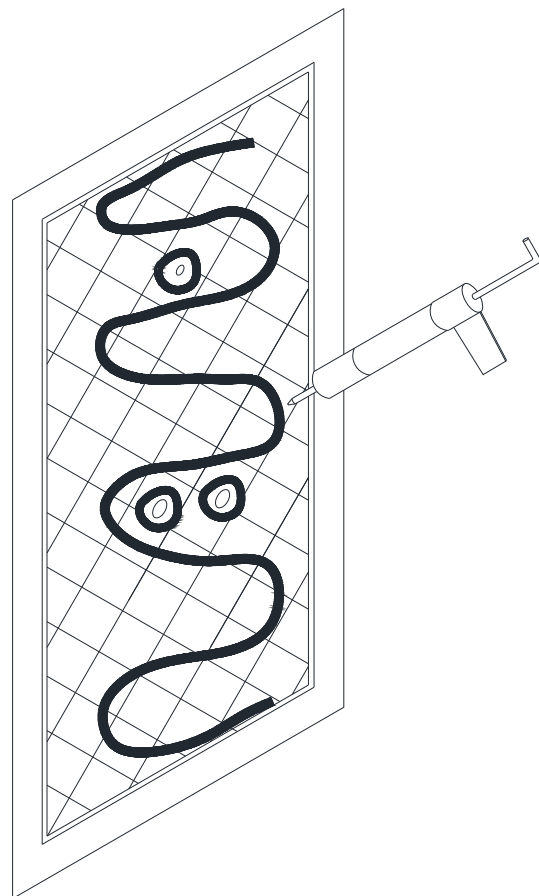


Fig. 14

11. Slide the narrow edge of the **Side panel (01)** behind the **Corner cover (02)**.  
Align trimmed edge of the **Side panel** (from Step. 4) with the marked line on the wall (in Step. 2) and push the **Side panel** against the wall.

**NOTE:**

Make sure the drilled holes on the **Side panel** are also aligned with the fixtures on the wall.

See Fig. 15 for details.

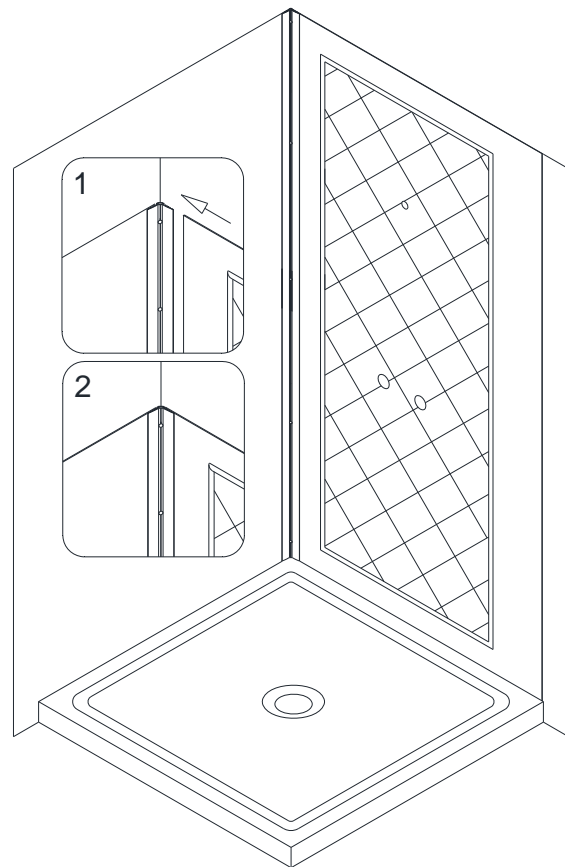


Fig. 15

12. Apply sealant to the entire surface of the reverse side of the other **Side panel (01)**.

See Fig. 14 for details.

13. Slide the narrow edge of the **Side panel (01)** behind the **Corner cover (02)**.  
Align trimmed edge of the **Side panel** (from Step. 4) with the marked line on the wall (in Step. 2) and push the **Side panel** against the wall.

Align the top of both **Side panels** and the **Back panel** before the sealant sets. Apply equal pressure to the whole surface of the Acrylic panels from top to bottom.

See Fig. 16 for details.

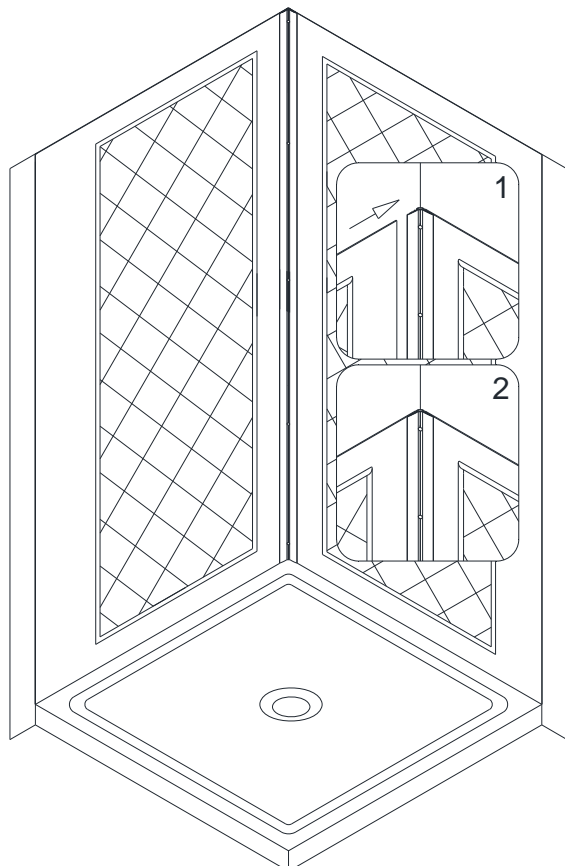


Fig. 16

14. Once **Side panels (01)** aligned, fasten tight the **Corner cover (02)** to secure the **Side panels**. Cover the screw holes with the **Decorative cover (08)**.

See Fig. 17 for details.

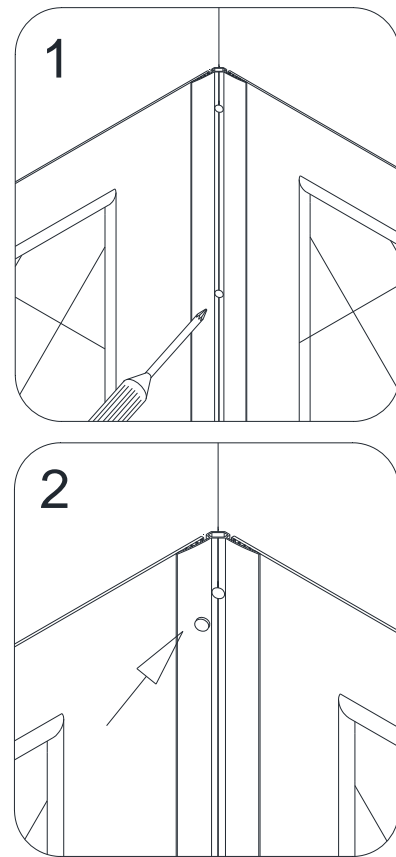


Fig. 17

**ATTENTION:**

**Prior to the next step, please be sure the part of the wall for installation of the Decorative edge molding (03) is clean, dry and free from soap, oil and any construction debris.**

15. Gently remove the plastic tape from the adhesive side of the **Decorative edge molding (03)** and firmly press it to the edge of the **Side panel (02)** from top to bottom.

See Fig. 18 for details.

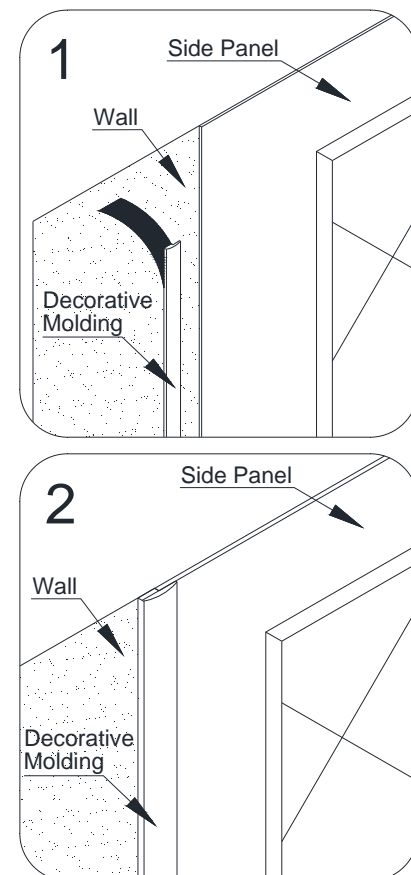


Fig. 18

16. Apply caulk along the top edge of the **Side panels (01)** and along the connection of the bottom edges of the **Side panels** with the Shower base.

See Fig. 19 for details.

**ATTENTION:**

Installation of "QWALL-4" Acrylic shower wall is complete.

If you want to install **Glass shelves (05)** to your Shower, follow to the next step.

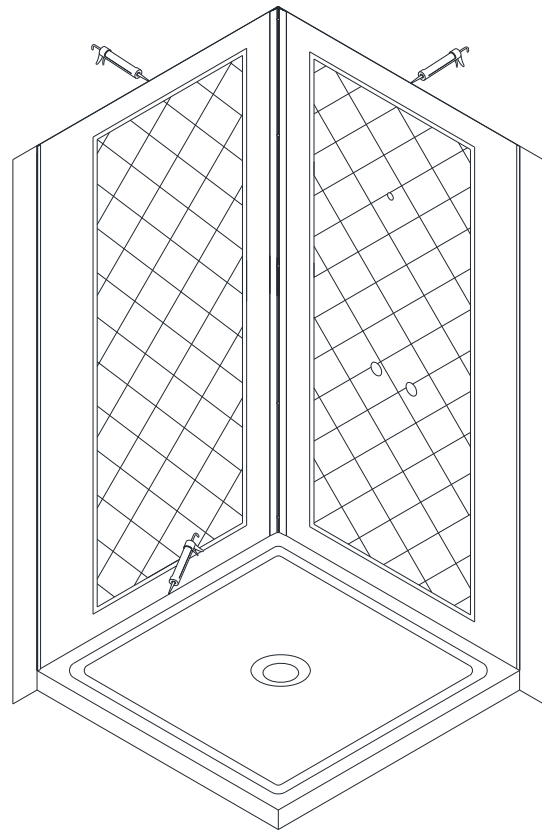


Fig. 19

**Glass Shelves Installation Instruction**

17. Determine the desired height for the **Glass shelves (05)** and mark the locations on the wall.

**NOTE:**

The **Glass shelves** can be installed either two in one corner, or one in each.

See Fig. 20 for details.

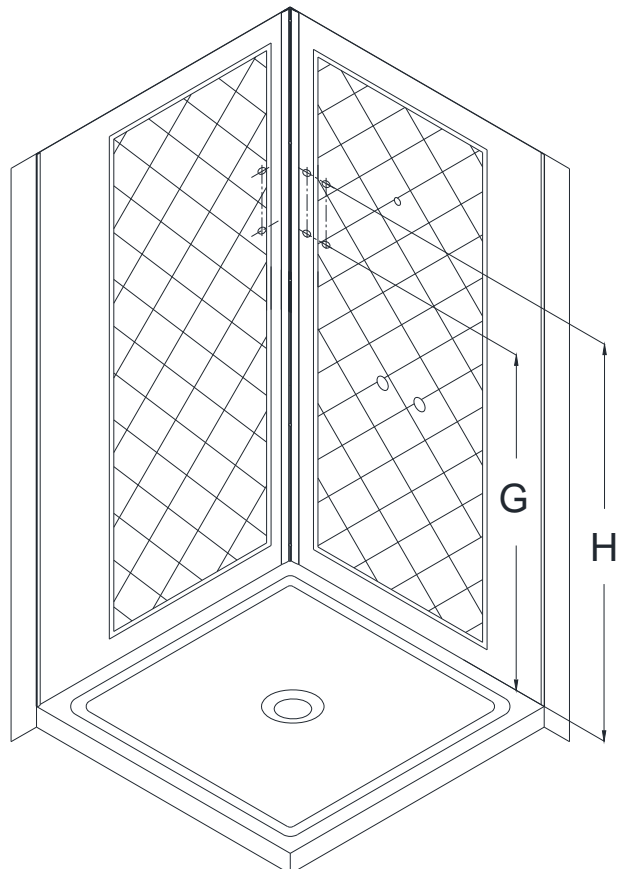


Fig. 20

18. Mark the location for the **Shelf brackets (04)** according to the measurements in [Fig. 20](#) and [Fig. 21.1](#).  
Drill the holes using **Ø5/16"** drill bit and insert the **Wall anchors (06)**.

See Fig. 21 for details.

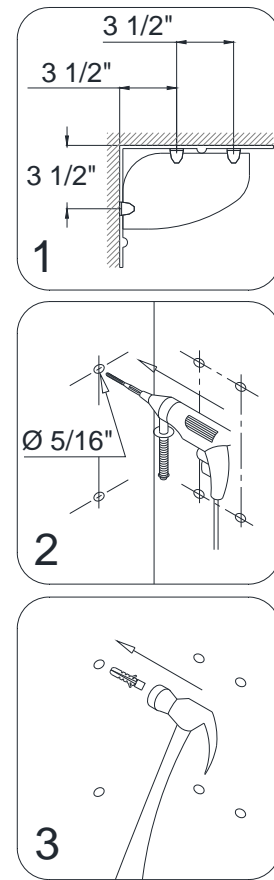


Fig. 21

19. Mount the **Shelf brackets (04)** to the wall using the **Countersunk screws ST4.2×30 (07)**.

**NOTE:** the padded set screw of the Glass bracket should be facing down.

Slide the upper **Glass shelf (05)** into the upper **Shelf brackets** and tighten the set screws at the bottom of the brackets. Then slide the bottom **Glass shelf** in place. Tighten the set screws on the bottom **Shelf brackets** as well.

See Fig. 22 and Fig. 23 for details.

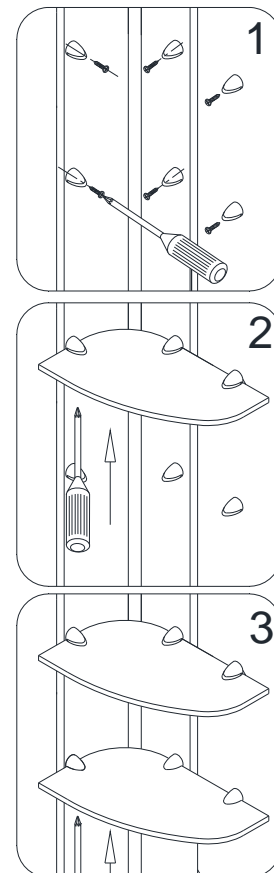


Fig. 22



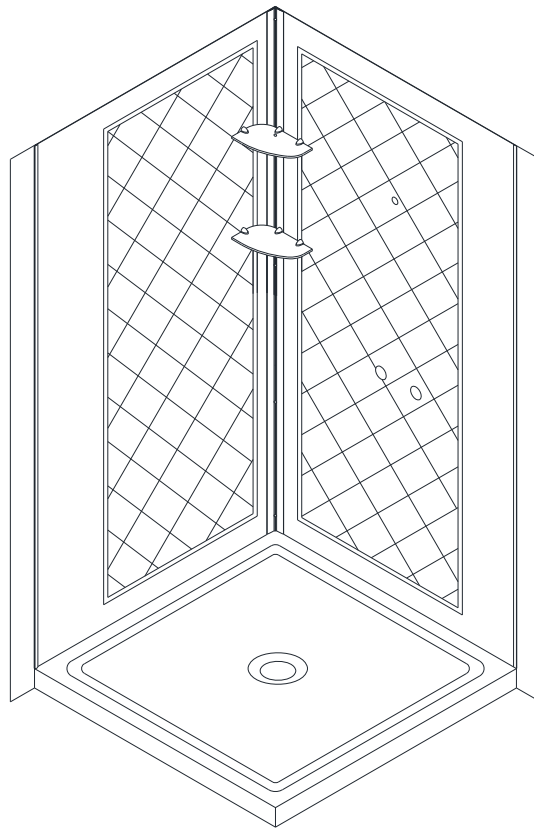


Fig. 23

## **Product maintenance**

To insure long lasting life for your acrylic back walls, wipe them off after each use with a soft cloth. To clean the acrylic back walls use non-abrasive sprays or cream based cleaners. Never use abrasive cleansers, metal brushes or scrapers that could scratch or dull the surface.

### **Acrylic cleaning procedure:**

Acrylic should be cleaned with warm water and a clean, nonabrasive cloth. If desired, a mild, nonabrasive detergent may also be used. Use only light pressure when cleaning. Avoid rubbing dirt or grit into the surface. Turn the cloth often and replace with a clean cloth frequently. Dry by blotting gently with a clean, dry cloth.

### **DO NOT USE:**

Window cleaning sprays, alcohol, kitchen abrasive compounds, or solvents (such as acetone, gasoline, or thinners). Do not use ammonia based cleaning solutions on the acrylic as it will eat into the surface and cause it to damage.

### **How do you get scratches out of Acrylic?**

For light scratches, use a buffing compound such as a car wax. Use a buffer or slightly buff the surface by hand until scratches disappear.

## DREAMLINE™ EXCLUSIVE LIMITED WARRANTY AS OF MAY 6, 2013

This warranty extends only to the original owner/end-user for household use only and is not transferable to a subsequent owner. This warranty extends for a designated period of time, so long as it remains in use in its original place of installation. This warranty applies only to DreamLine products purchased from an authorized dealer in United States or Canada. Proof of purchase (original sales receipt) from the original consumer purchase must be provided with all warranty claims.

**IN NO EVENT SHALL THE LIABILITY OF DREAMLINE EXCEED THE PURCHASE PRICE OF THE UNIT.**

DreamLine products must be installed by a fully insured and licensed professional. Installation of DreamLine product by anyone other than fully insured licensed professionals shall **VOID THE WARRANTY**. DreamLine recommends that such licensed professionals have experience in the installation of bathroom products. Installation of certain products, including, without limitation, glass products (i.e., shower and tub doors) by an inexperienced installer may result in glass breakage and, consequently, cause personal injury or death.

### PARTS ONLY WARRANTY

This warranty is extensive in that it covers replacement of all defects. LABOR CHARGES AND/OR DAMAGE INCURRED IN INSTALLATION, REPAIR, OR REPLACEMENT, AS WELL AS ANY OTHER KIND OF LOSS OR DAMAGE ARE EXCLUDED

### COMMERCIAL USE AND OTHER EXCLUSIONS

This warranty excludes all industrial, commercial and business usage, whose purchasers are hereby extended a one (1) year limited warranty from the date of purchase for shower and tub doors, a three (3) month limited warranty from the date of purchase for vanities and sinks, with all other terms of this warranty applying except the duration of the warranty.

DREAMLINE JETTED AND STEAM SHOWER CABINS, DREAMLINE SHOWER COLUMNS AND DREAMLINE SHOWER SEATS ARE NOT INTENDED FOR COMMERCIAL USE AND THERE IS NO WARRANTY EXTENDED FOR THESE PRODUCTS FOR COMMERCIAL USE.

DreamLine hereby disclaims all warranties for products sold as dealer or store displays. DreamLine hereby disclaims all warranties for products used outside of the United States or Canada whether expressed or implied, including but not limited to the implied warranties of merchantability and fitness for a particular purpose.

### WARRANTY TERMS

DreamLine will, at its election, repair or replace the product found by DreamLine in its sole judgment, to be defective within the warranty period under normal residential use and maintenance. The replacement of a product is limited to supplying a replacement product or part (same as existing or if not available, comparable product). DreamLine warranty obligation shall be discharged upon tender of parts, replacement or repair of the product. Purchaser's refusal to accept the tender terminates all warranty obligations and **VOIDS THE WARRANTY**. Cost of freight for returning products to DreamLine for repairs or replacement under this limited warranty are the responsibility of the customer. Cost of freight associated with shipping of replacement product or parts to the customer may be charged to customer. Any product replaced or repaired during the warranty period will be covered only for the remaining period of the original warranty. In no event will DreamLine be liable for costs of repair or replacement of any installation material, including but not limited to tiles, marble, etc.

**DREAMLINE IS NOT RESPONSIBLE FOR INSTALLATION, REMOVAL OR REINSTALLATION COSTS OF ANY PRODUCT REQUIRING WARRANTY SERVICES.**

Any modification or alteration of any DreamLine products will void the warranty. DreamLine product installations and repairs must be performed by either a DreamLine authorized agent or a licensed, insured and experienced professional contractor - installation or repairs performed by any other party shall void the warranty. This warranty shall not apply to breakage or damages caused by normal wear and tear, fault, carelessness, abuse, misuse, misapplication, improper maintenance, alteration or modification of the unit, as well as chemical or natural corrosion, accident, fire, flood, act of God or any other casualty. Improper care and cleaning will void the warranty. Use of cleaners containing abrasive cleansers, ammonia, bleach, acids, waxes, alcohol, solvents or other products not recommended for chrome or similar finish, glass or acrylic will void the warranty. For additional product maintenance instructions please refer to product installation manual. DreamLine is not responsible for any issues arising in connection with errors or omissions in information provided on DreamLine's websites. The warranty does not extend to any non-DreamLine plumbing or components installed by installers, end users or by any party other than DreamLine.

**THE FOREGOING WARRANTIES ARE IN LIEU OF ALL OTHER WARRANTIES, EXPRESSED OR IMPLIED, INCLUDING BUT NOT LIMITED TO THE IMPLIED WARRANTIES OF MERCHANTABILITY AND FITNESS FOR A PARTICULAR PURPOSE. BATH AUTHORITY LLC ("DREAMLINE") AND/OR SELLER DISCLAIMS ALL LIABILITY FOR SPECIAL, INCIDENTAL OR CONSEQUENTIAL DAMAGES. DREAMLINE IS NOT LIABLE FOR PERSONAL INJURIES OR DEATH TO ANY PERSON OR FOR ANY DIRECT, SPECIAL, INCIDENTAL OR CONSEQUENTIAL DAMAGE, LOSS OF USE, LOSS OF TIME, LOSS OF PROFITS, INCONVENIENCE, INCIDENTAL EXPENSES, LABOR OR MATERIAL CHARGES, OR ANY OTHER COSTS RESULTING FROM THE USE OF ITS PRODUCTS OR PERTAINING TO THE APPLICATION OF THE PRESENT WARRANTY, OR RESULTING FROM THE REMOVAL OR REPLACEMENT OF ANY PRODUCT OR ELEMENT OR PART COVERED BY THIS WARRANTY.**

### PRODUCT WARRANTY PERIODS

DreamLine is not responsible for product code compliance or for verifying building code restrictions on installation or use and any such compliance is excluded from this warranty. DreamLine reserves the right to modify this warranty at any time - such warranty modifications will not alter the warranty applicable at the time of sale of the products in question. The warranty terms for specific products for consumer (non-industrial, non-commercial, non-business use only) are:

#### SHOWER BACKWALL, SHOWER CABINS (JETTED & STEAM)

DreamLine warrants shower backwalls and shower cabins to be free from defects in workmanship for a period of one (1) year from initial date of purchase by the owner/end-user, contractor or builder from an authorized dealer.

#### SHOWER & TUB DOORS, SHOWER ENCLOSURES

DreamLine warrants shower doors, tub doors and shower enclosures to be free from defects in workmanship and materials under normal residential use for a period of five (5) years from the initial date of purchase by the owner/end-user, contractor or builder from an authorized dealer. Warranty for plastic strips shall be limited to one (1) year. Warranty for any part in Oil Rubbed Bronze finish shall be limited to one (1) year.

#### SHOWER BASES

DreamLine warrants shower bases to be free from defects in workmanship and materials under normal residential use for as long as the original consumer purchaser owns their home in which their product is installed.

#### SHOWER COLUMNS

DreamLine warrants shower columns to be free from defects in workmanship and materials under normal residential use for a period of one (1) year from the initial date of purchase by the owner/end-user, contractor or builder from an authorized dealer.

#### SHOWER SEATS

DreamLine warrants shower seats to be free from defects in workmanship and materials under normal residential use for a period of one (1) year from the initial date of purchase by the owner/end-user, contractor or builder from an authorized dealer. Warranty shall be VOID if the shower seat is not professionally installed on a properly reinforced wall.

#### VANITIES AND VESSEL SINKS

DreamLine warrants bathroom vanities and vessel sinks to be free from defects in workmanship and materials under normal residential use for a period of one (1) year from the initial date of purchase by the owner/end-user, contractor or builder from an authorized dealer.

#### STATE LAWS AND THIS WARRANTY

Some states/provinces do not allow limitations on how long an implied warranty lasts, or the exclusion or limitation of special, incidental or consequential damages, so these limitations and exclusions may not apply to you. This warranty gives you specific legal rights. You may also have other rights, which vary from state/province to state/province.

### WARRANTY SERVICE

The following information will be required for you to file a Warranty claim:

1. Your name, address and telephone number
2. Product model number
3. Brief description of problem (please note that additional information such as photos may be required to fully process your warranty claim)
4. Proof of purchase

You may submit this information by e-mail, mail or fax to:

DreamLine  
Warranty Service Center  
75 Hawk Road  
Warminster, PA 18974  
F:1-866-857-3638  
T:1-866-731-2244  
Warranty@bathauthority.com



---

TEL: [866-731-2244](tel:866-731-2244)

FAX: [866-227-1533](tel:866-227-1533)

[WWW.BATHAUTHORITY.COM](http://www.BATHAUTHORITY.COM)

For more information on [DreamLine™ Shower Bases](http://www.BathAuthority.com) please visit [www.BathAuthority.com](http://www.BathAuthority.com)